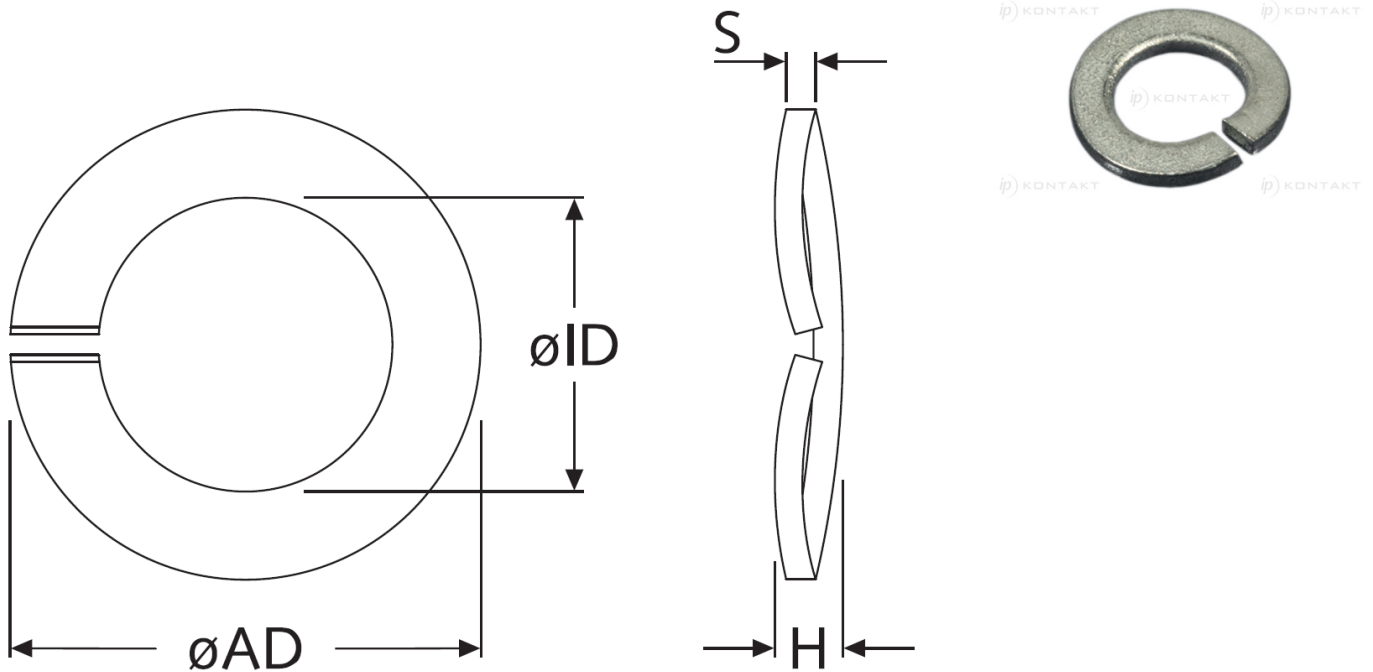


**AR-POS128A - Metalowe podkładki sprężynujące**



Details:

- Material: see table

Symbol	For thread	Int. diameter $\varnothing ID$	Ext. diameter $\varnothing AD$	Height H max.	S	Material
		[mm]	[mm]	[mm]	[mm]	
AR-POS128A-21287	M5	5.1	9.2	1.7	1	zinc-plated steel