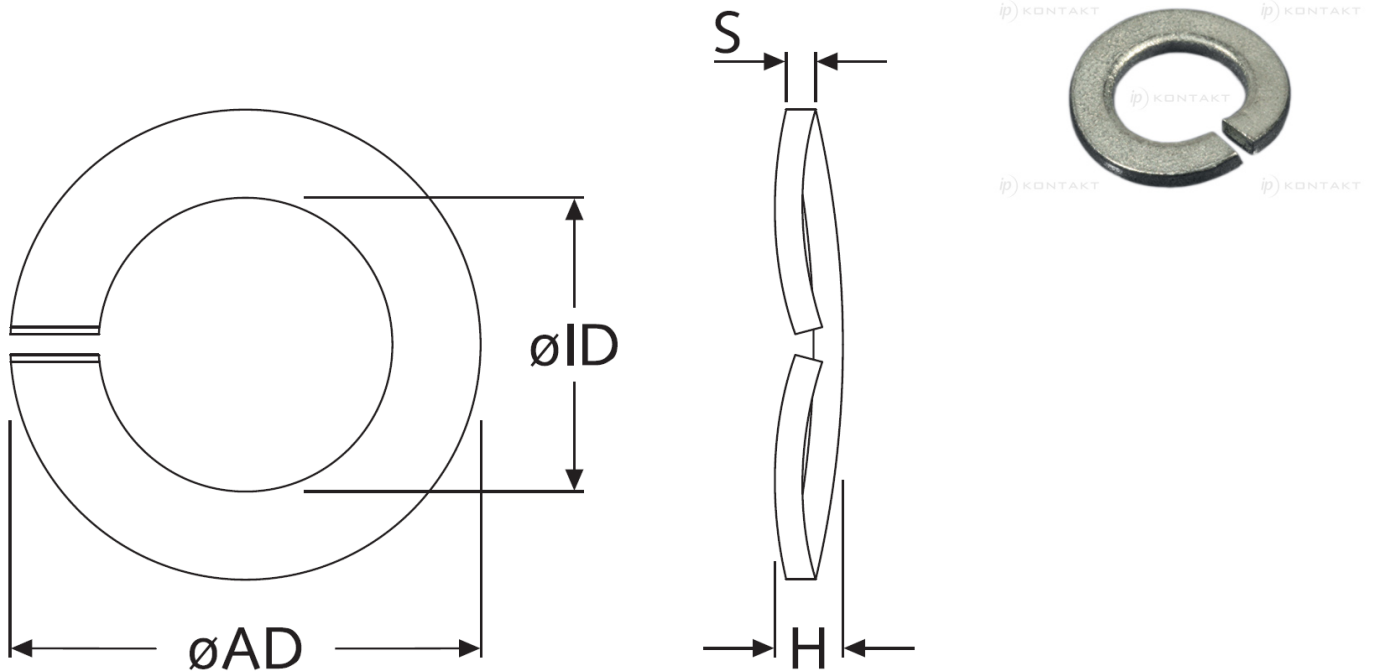


AR-POS128A - Metalowe podkładki sprężynujące



Details:

- Material: see table

Symbol	For thread	Int. diameter ØID	Ext. diameter ØAD	Height H max.	S	Material
		[mm]	[mm]	[mm]	[mm]	
AR-POS128A-21284	M2.5	2.6	5.1	1.1	0.6	zinc-plated steel