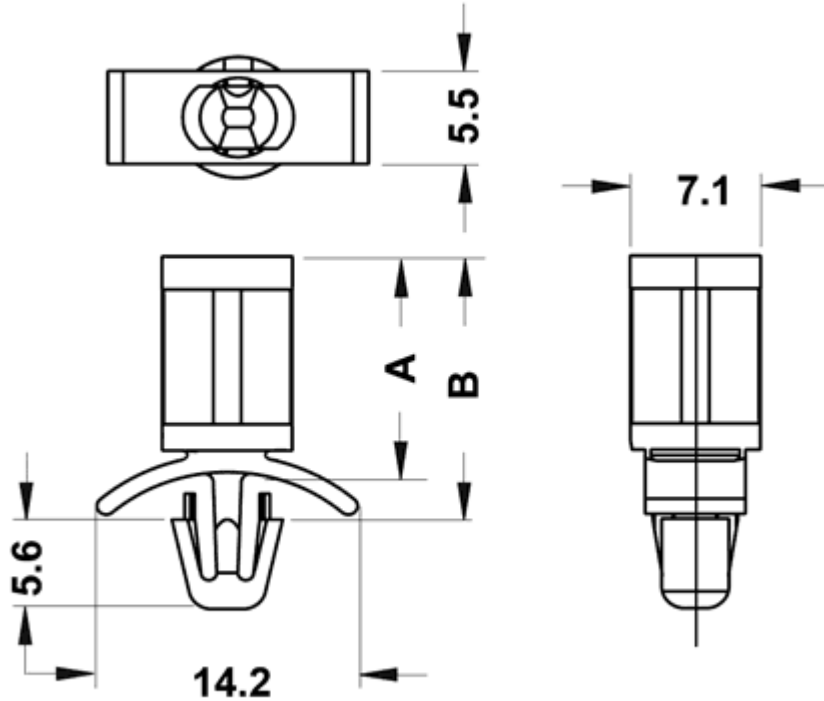


**FP-9678 - PCB spacers**



Details:

- **Material: Nylon 6.6**
- **Color: natural**
- Flammability: UL94V2
- Working temperature: -35°C up to +85°C
- Standard pack: 1000 pcs

Symbol	Height A	B	Mounting hole diameter	Bottom panel thickness range	Material	Flammability	Color
	[mm]	[mm]	[mm]	[mm]			
9683AA00	12.7	15.5	4.8	0.8 - 2.0	PA 66	UL94 V-2	natural