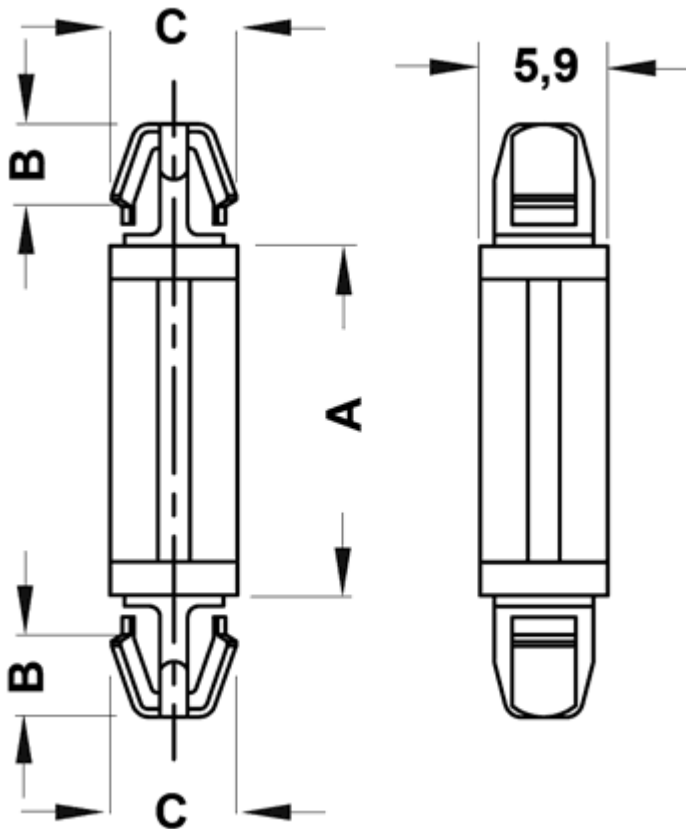


FP-9612 - PCB spacers



Details:

- **Material: Nylon 6.6**
- **Color: natural**
- Flammability: UL94V2
- Working temperature: -35°C up to +85°C
- Standard pack: 1000 pcs

Symbol	Height A	B	C	Mounting hole diameter	Panel thickness	Material	Flammability	Color
	[mm]	[mm]	[mm]					
9617AA00	12	3.6	5.5	4.8	1.6	PA 66	UL94 V-2	natural