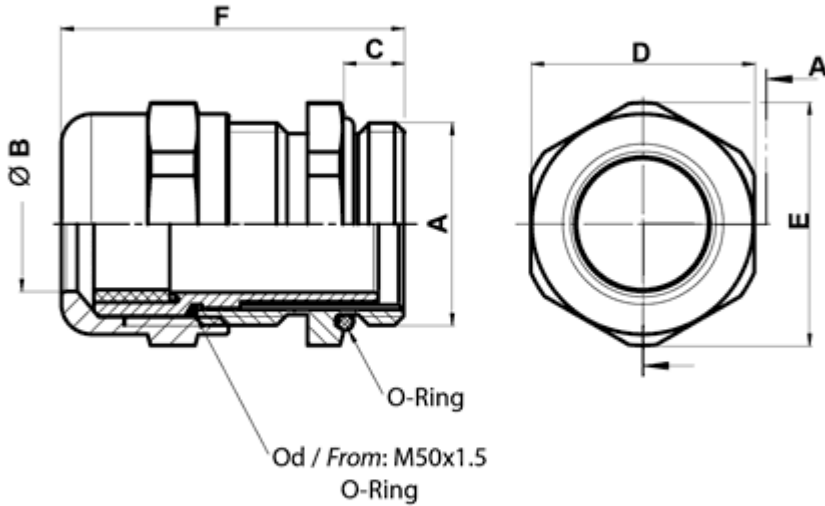


FP-9258 - Metric thread cable glands



Details:

- **Material: Nickel plated brass**
- **Lamellar insert: PA 6 V-2**
- **Sealing ring: Polychloroprene nitrile**
- Working temperature: -20°C up to +100°C
- Protection grade: IP68 - 5 bar; M12 - M25 - M50 - M63: IP69K
- Metric as per EN 50262

Symbol	Metric thread	Cable diameter range	C	D	E	F	Material	Standard pack
		$\varnothing B$						[szt./pcs]
		[mm]	[mm]	[mm]	[mm]	[mm]		
9260MA92	M20x1.5	9.0 - 13.0	6	22	24	33.5	brass, nickel plated	100