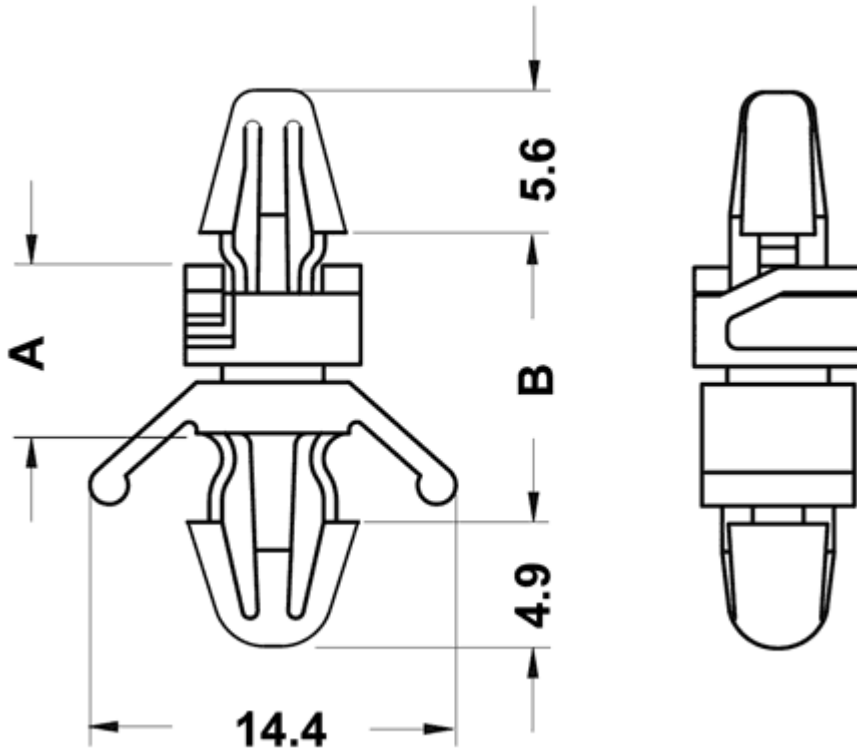


FP-8427 - PCB spacers



Details:

- **Material: Nylon 6.6**
- **Color: natural**
- Flammability: UL94V2
- UL94V0 available on special order
- Working temperature: -35°C up to +85°C
- Standard pack: 1000 pcs

Symbol	Height A	B	Bottom mounting hole dia.	Bottom panel thickness range	Top mounting hole dia.	Top panel thickness range	Material	Flammability	Color
	[mm]	[mm]	[mm]	[mm]	[mm]	[mm]			
8435AA00	28.8	33.6	4.8	0.8 - 3.0	4	1.2 - 2.0	PA 66	UL94 V-2	natural