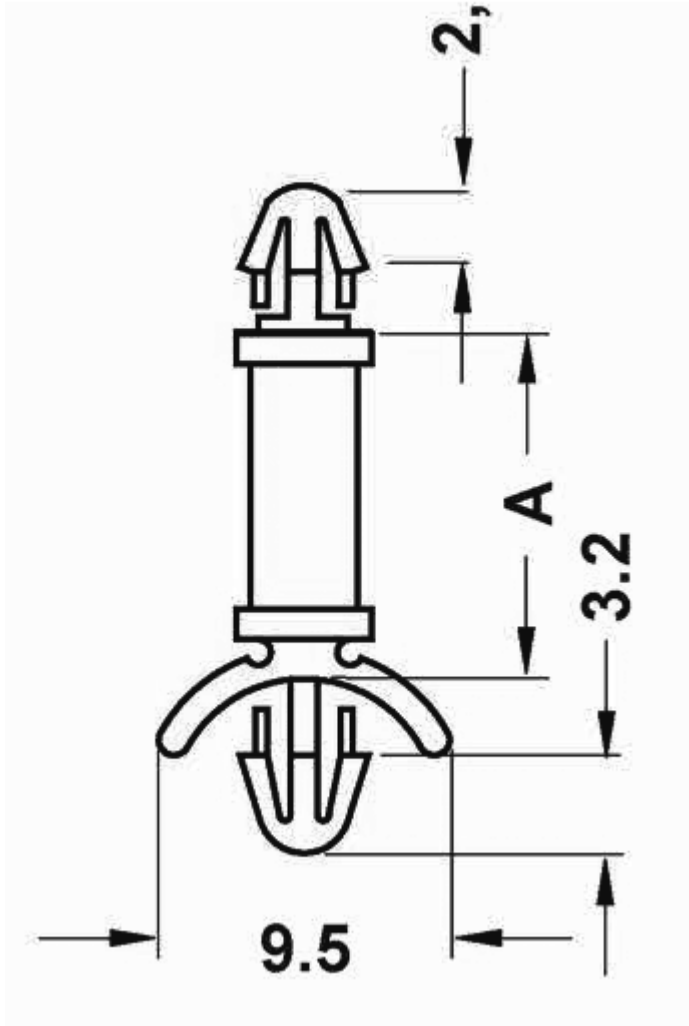


FP-DLS71 - Dual locking PCB spacer



Details:

- **Material:** PA66 UL94V2
- **Color:** natural
- Standard pack: 1000 pcs

Symbol	Height A	Top mounting hole dia.	Top panel thickness range	Bottom mounting hole dia.	Bottom panel thickness range	Material	Flammability	Color
	[mm]	[mm]	[mm]	[mm]	[mm]			
8415AA00	14.3	3	1.2 - 1.7	3	0.8 - 2	PA 66	UL94 V-2	natural