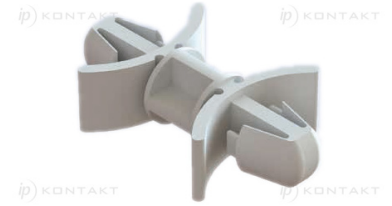
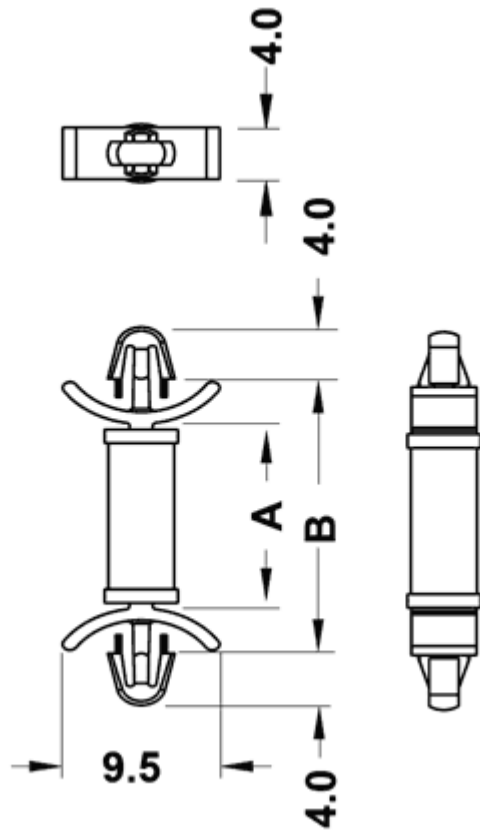


FP-8272 - PCB spacers



Details:

- **Material:** Nylon 6.6
- **Color:** natural
- Flammability: UL94V2
- Working temperature: -35°C up to +85°C
- Standard pack: 1000 pcs

Symbol	Height A	B	Mounting hole diameter	Panel thickness range	Material	Flammability	Color
	[mm]	[mm]	[mm]	[mm]			
8278AA00	14.3	19.3	3.2	0.8 - 2.0	PA 66	UL94 V-2	natural