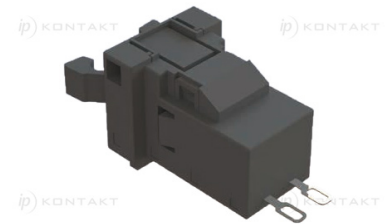
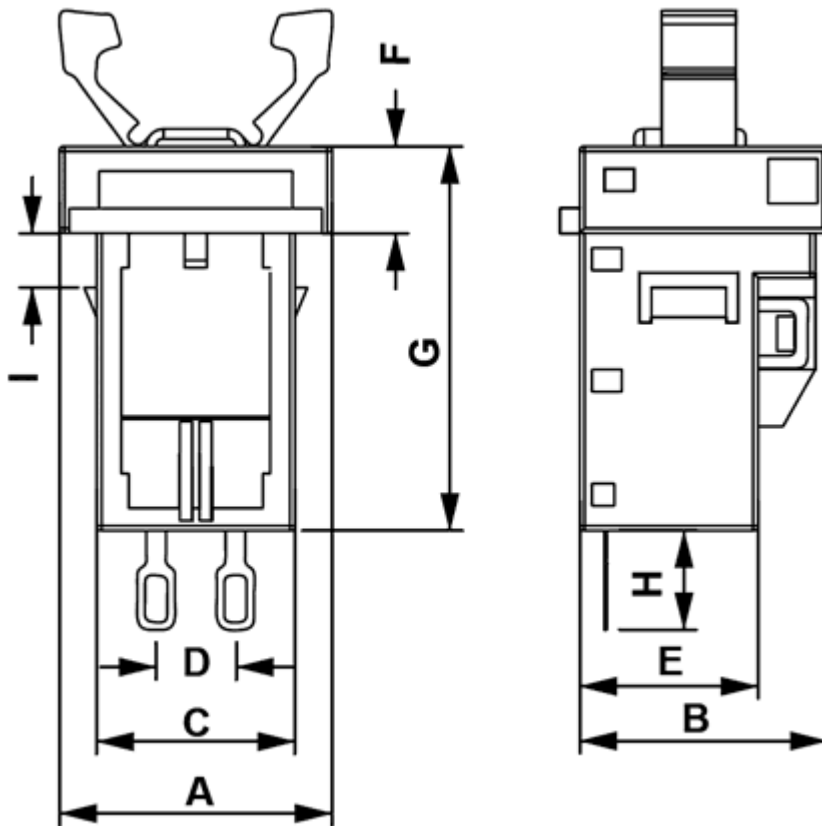


**FP-7158 - Push latch electronic switch**



Details:

- **Material: PA66 - ABS**
- Rated load condition: DC12V 50mA
- Insulation resistance:  $\geq 100M\Omega$
- Type of circuit contact: NO (not latched) /NC (latched)
- Contact resistance:  $\leq 50m\Omega$
- Dielectric breakdown strength: AC250V 50Hz/min
- Standard pack: 1000 pcs

| Symbol     | A    | B    | C    | D    | E    | F    | G    | H    | I    | Material   | Color |
|------------|------|------|------|------|------|------|------|------|------|------------|-------|
|            | [mm] | [mm] | [mm] | [mm] | [mm] | [mm] | [mm] | [mm] | [mm] |            |       |
| 7158HA01PS | 11   | 10.2 | 8    | 3.6  | 7.5  | 3.5  | 15.5 | 3.6  | 2    | PA66 + ABS | black |