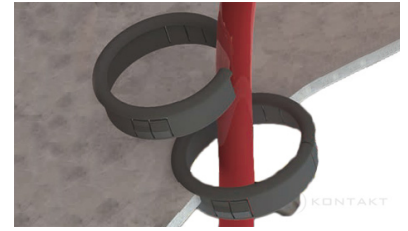
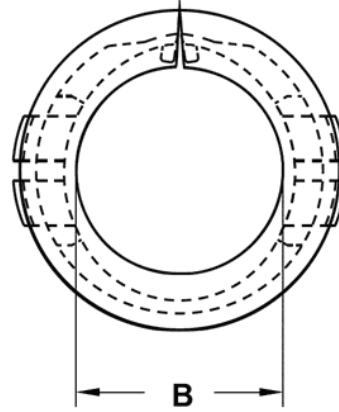
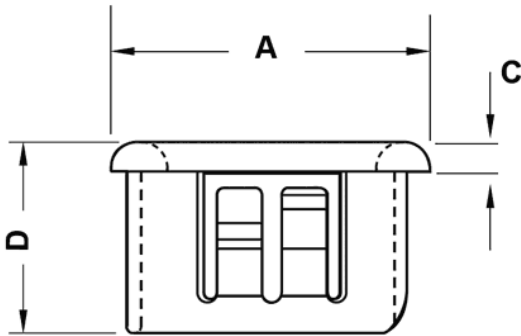


FP-5890 - Snap cable bushing



Details:

- **Material: Nylon 6.6 UL94V2**
- **Color: black**
- Working temperature: -35°C to +85°C
- Parts may appear with one or two fixing hooks per side

Symbol	Ext. diameter A	Int. diameter B	C	Height D	Mounting hole diameter	Panel thickness range	Standard pack	Material	Flammability	Color
	[mm]	[mm]	[mm]	[mm]	[mm]	[mm]	[szt./pcs]			
6761AA01	12.4	7.6	1.6	6	9.5	0.8 - 1.6	1000	PA 66	UL94 V-2	black