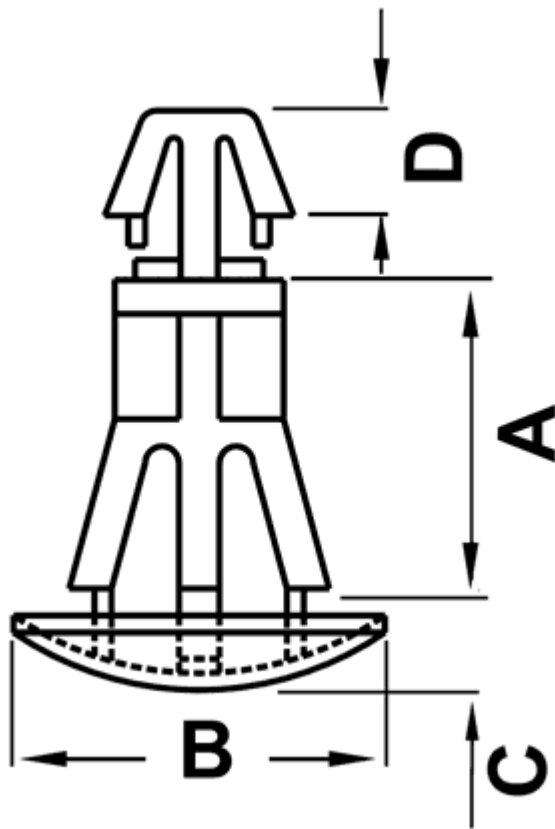


FP-6243 - PCB spacers



Details:

- **Material:** Nylon 6.6
- **Color:** natural
- Flammability: UL94V2
- Working temperature: -35°C up to +85°C

Symbol	Height A	B	C	D	Top mounting hole dia.	Top panel thickness range	Bottom mounting hole dia.	Bottom panel thickness range	Standard pack	Material	Flammability	Color
	[mm]	[mm]	[mm]	[mm]	[mm]	[mm]	[mm]	[mm]				
6244AA00	6.4	11	2.2	3.1	4	1.2 - 1.7	6	0.8 - 2.0	2000	PA 66	UL94 V-2	natural