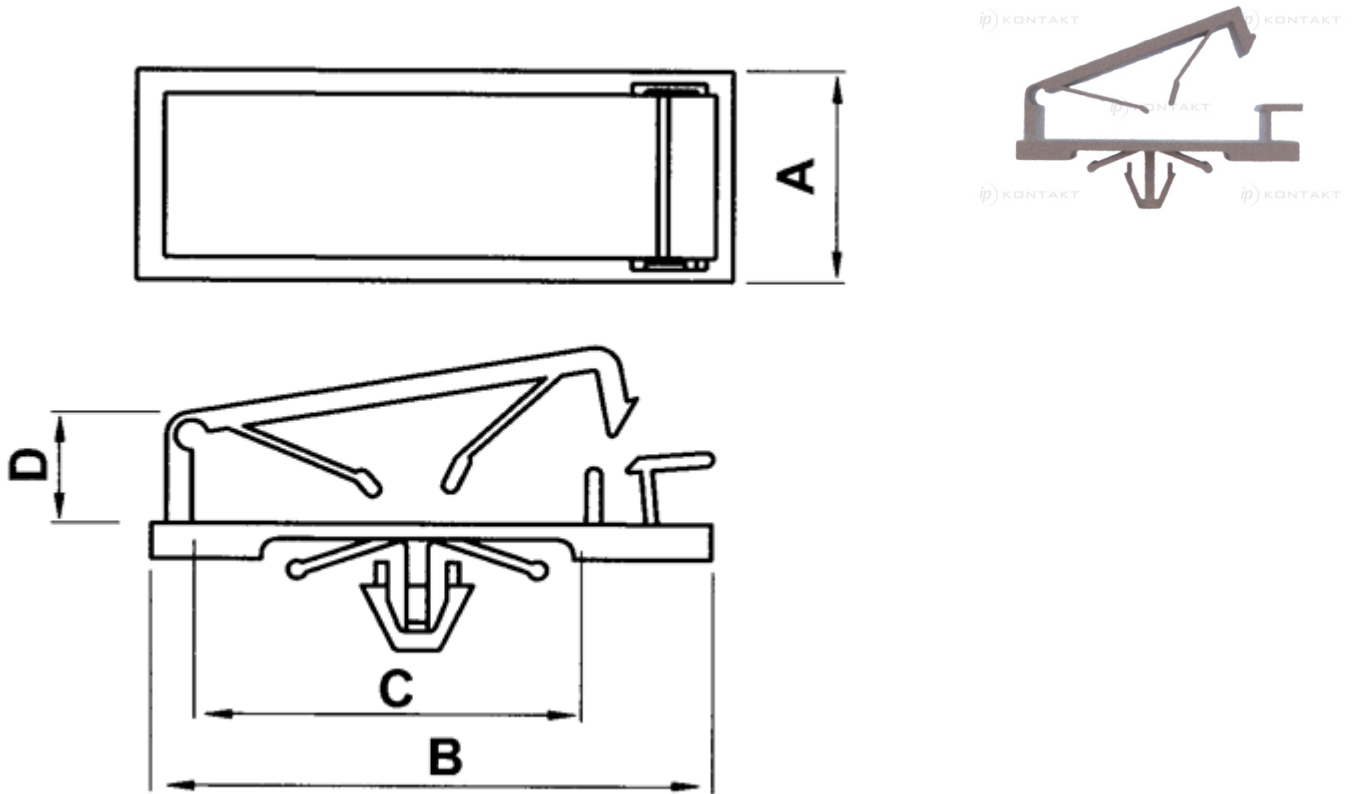


FP-6110 - Flat cable clip



Details:

- **Material:** PA 6.6 UL94V2
- **Color:** grey
- Working temperature: -35°C - 85°C
- Standard pack: 100 pcs

Symbol	A	B	C	D	Mounting hole diameter	Panel thickness	Material	Flammability	Color
	[mm]	[mm]	[mm]	[mm]	[mm]	[mm]			
6110AA11	18.8	44.3	31.2	9.4	6.5	2.2	PA 66	UL94 V-2	grey