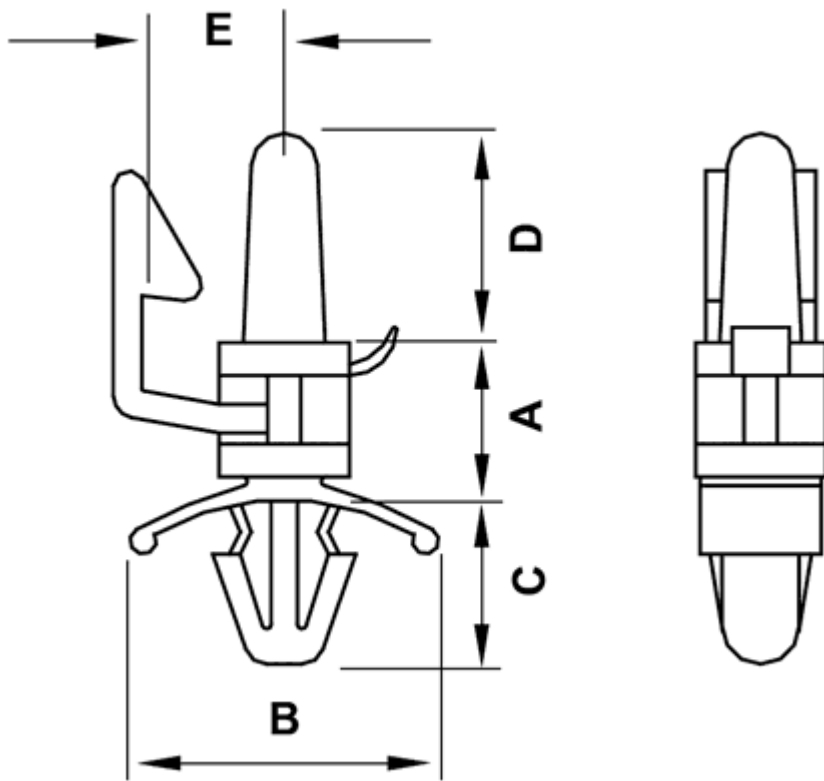


FP-6020 - PCB spacers



Details:

- **Material: Nylon 6.6**
- **Color: natural**
- Flammability: UL94V2
- Working temperature: -35°C up to +85°C
- Standard pack: 1000 pcs

Symbol	Height A	B	C	D	E	Bottom mounting hole dia.	Bottom panel thickness range	Top mounting hole dia.	Top panel thickness range	Material	Flammability	Color
	[mm]	[mm]	[mm]	[mm]	[mm]							
6022AA00	9.5	14	7.5	9.5	6.3	4.8	0.5 - 2.0	4	1.6 - 1.8	PA 66	UL94 V-2	natural