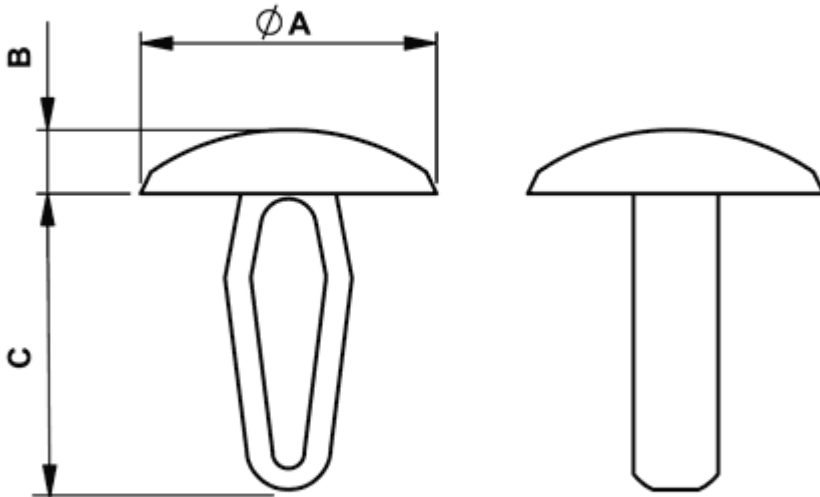


FP-0293 - Clips



Details:

- **Material: Nylon 6.6**
 - Working temperature: -35°C do +85°C
 - Flammability: UL94V2
- **Material: POM**
 - Working temperature: -30°C do +90°C
 - Flammability: UL94V2
- **Color: natural (NAT), black (BLK)**

Symbol	Head diameter ØA	Head height B	C	Mounting hole diameter range	Panel thickness range	Standard pack	Material	Flammability	Color
	[mm]	[mm]							
5394AA00	6.5	1.2	10	3.0 - 3.5	0.5 - 3.5	5000	PA 66	UL94 V-2	natural