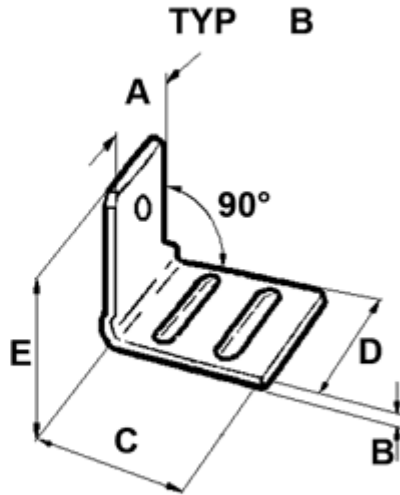
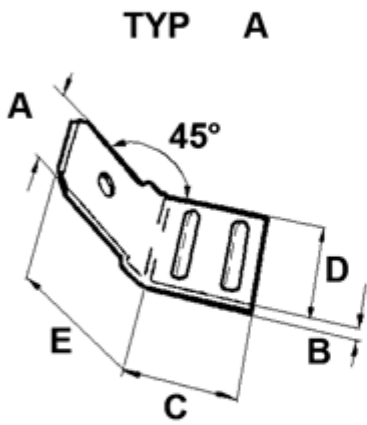


FP-3673 - Weldable tabs



Details:

- **Material: tin-plated brass**

Symbol	Typ/Type	A	B	C	D	E	Material
		[mm]	[mm]	[mm]	[mm]	[mm]	
3673MC92	A	6.3	0.8	8	8	10	steel, nickel plated