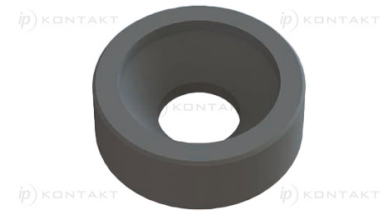
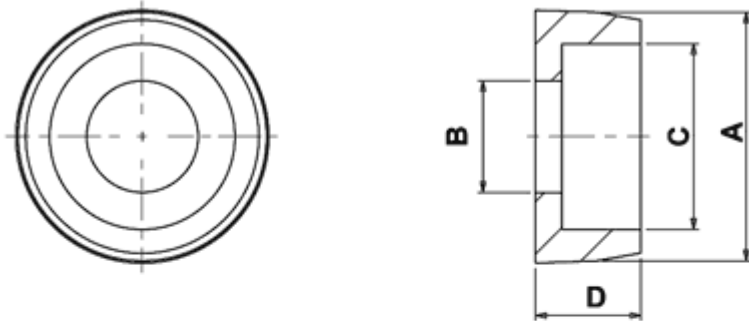
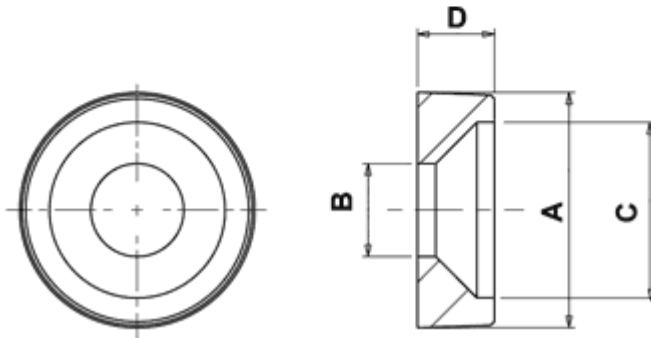


**FP-2882 - Washers for underhead screws**

**TYP 1**



**TYP 2**



Details:

- **Material: PA 6.6**
- **Flammability: UL94V2**
- **Color: black**
- Working temperature: -35°C to +85°C

| Symbol   | Type | Ext. diameter<br>A | Int. diameter<br>B | C | Height<br>D | Material | Flammability | Color |
|----------|------|--------------------|--------------------|---|-------------|----------|--------------|-------|
|          |      | [mm]               | [mm]               |   | [mm]        |          |              |       |
| 2897AA01 | 2    | 8                  | 3                  | 6 | 2.6         | PA 66    | UL94 V-2     | black |