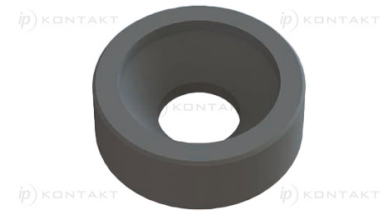
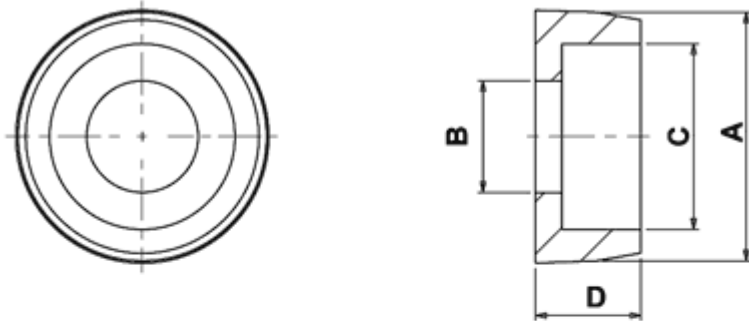
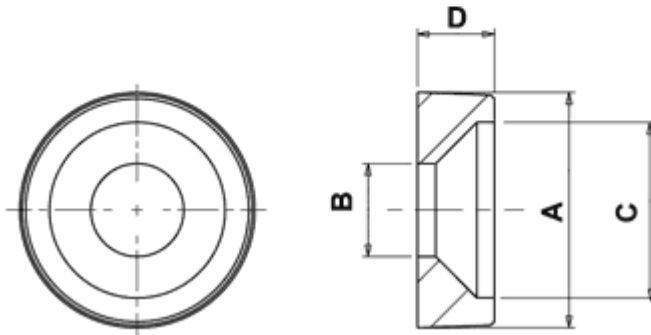


FP-2882 - Washers for underhead screws

TYP 1



TYP 2



Details:

- **Material: PA 6.6**
- **Flammability: UL94V2**
- **Color: black**
- Working temperature: -35°C to +85°C

| Symbol | Type | Ext. diameter A | Int. diameter B | C | Height D | Material | Flammability | Color |
|----------|------|--------------------|--------------------|------|-------------|----------|--------------|-------|
| | | [mm] | [mm] | [mm] | [mm] | | | |
| 2885AA01 | 1 | 13.9 | 6.3 | 10.5 | 6 | PA 66 | UL94 V-2 | black |