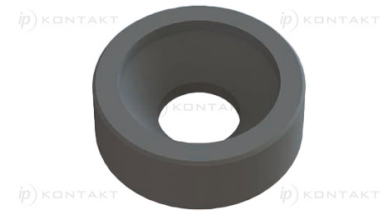
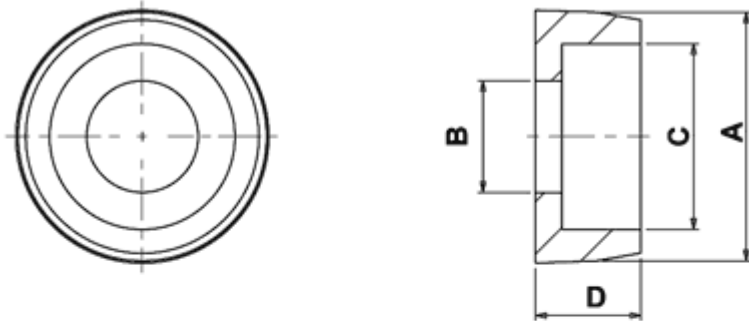
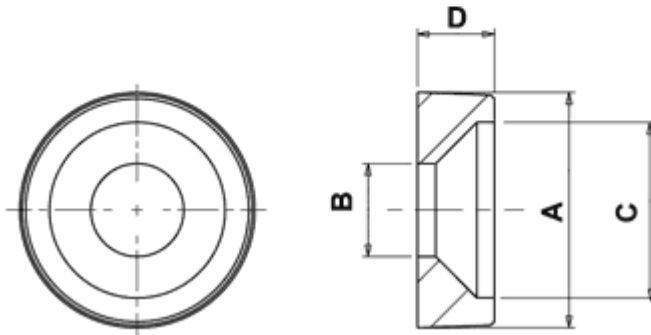


**FP-2882 - Washers for underhead screws**

**TYP 1**



**TYP 2**



Details:

- **Material: PA 6.6**
- **Flammability: UL94V2**
- **Color: black**
- Working temperature: -35°C to +85°C

Symbol	Type	Ext. diameter A	Int. diameter B	C	Height D	Material	Flammability	Color
		[mm]	[mm]	[mm]	[mm]			
2883AA01	1	9.8	4.2	7.2	3	PA 66	UL94 V-2	black