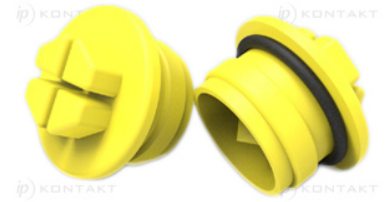
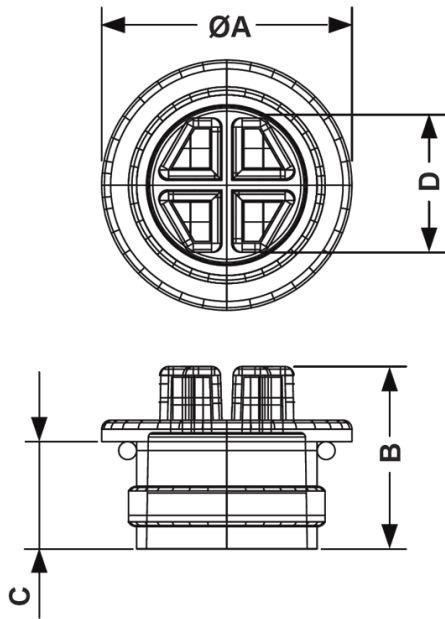


FP-25240 -



Details:

- **Material: HDPE**
- **Colour: yellow**
- Working temperature: -25°C to 60°C

Symbol	Ext. thread	Ext. diameter ØA	B	C	Wrench size D	Material	Color	Standard pack
		[mm]	[mm]	[mm]	[mm]			[szt./pcs]
25286EA06	UNF 1-14	31	22.1	13.5	17	HDPE	yellow	500