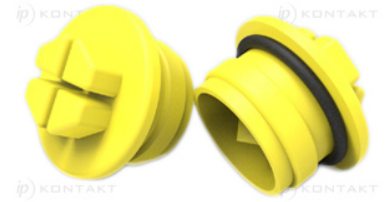
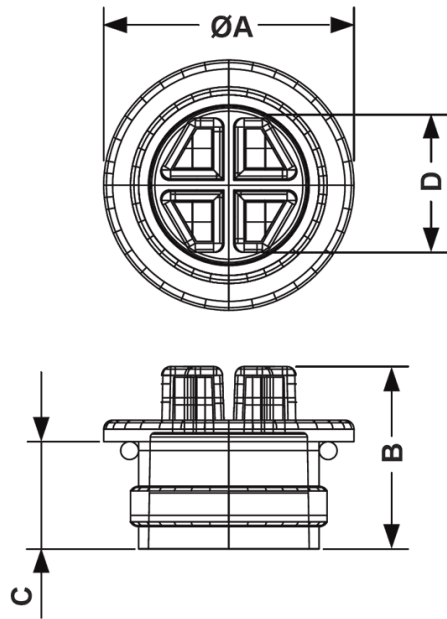


FP-25240 -



Details:

- **Material: HDPE**
- **Colour: yellow**
- **Working temperature: -25°C to 60°C**

| Symbol    | Ext. thread | Ext. diameter<br>ØA | B    | C    | Wrench size<br>D | Material | Color  | Standard pack |
|-----------|-------------|---------------------|------|------|------------------|----------|--------|---------------|
|           |             | [mm]                | [mm] | [mm] | [mm]             |          |        | [szt./pcs]    |
| 25283EA06 | UNF 5/8-18  | 22                  | 20.9 | 12.5 | 13               | HDPE     | yellow | 500           |