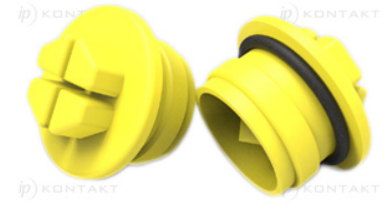
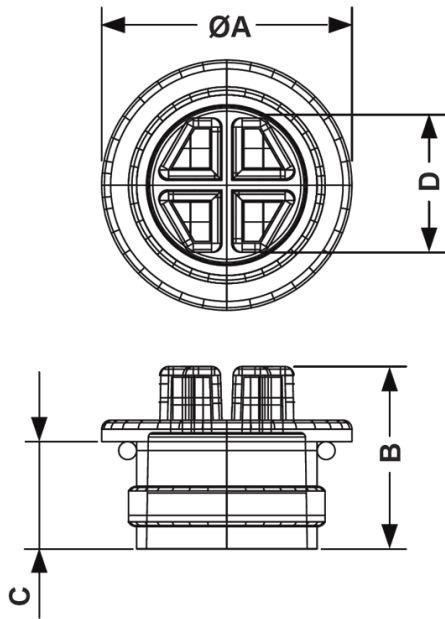


FP-25240 -



Details:

- **Material: HDPE**
- **Colour: yellow**
- **Working temperature: -25°C to 60°C**

| Symbol | Ext. thread | Ext. diameter ØA | B | C | Wrench size D | Material | Color | Standard pack |
|-----------|-------------|---------------------|------|------|------------------|----------|--------|---------------|
| | | [mm] | [mm] | [mm] | [mm] | | | [szt./pcs] |
| 25277EA06 | M52×1.5 | 60 | 22 | 12 | 30 | HDPE | yellow | 500 |