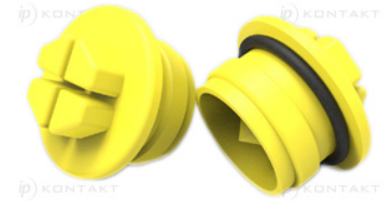
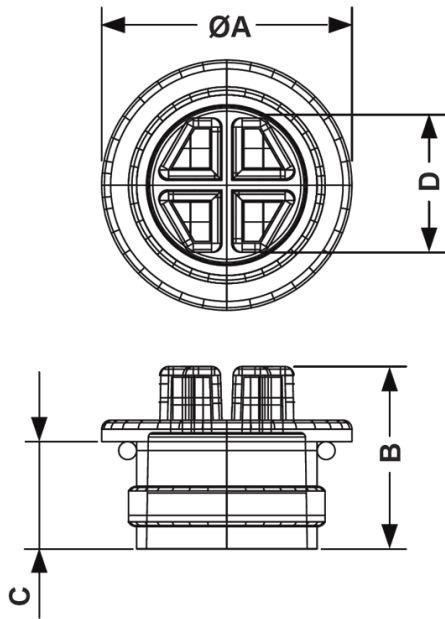


FP-25240 -



Details:

- **Material: HDPE**
- **Colour: yellow**
- **Working temperature: -25°C to 60°C**

Symbol	Ext. thread	Ext. diameter $\varnothing A$	B	C	Wrench size D	Material	Color	Standard pack
		[mm]	[mm]	[mm]	[mm]			[szt./pcs]
25270EA06	M36x1.5	45	20.6	12	24	HDPE	yellow	500