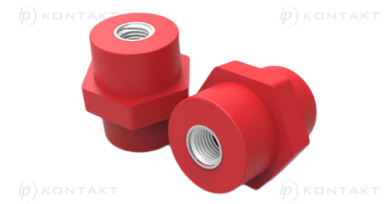
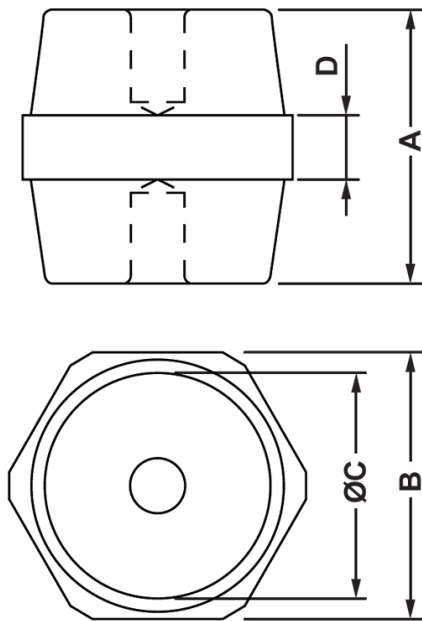


FP-22780 - Standoff insulators



Details:

- **Material:**
 - **threaded insert: zinc plated steel**
 - **body: polyester resin 20% GF**
- **Colour: red**
- **Flammability: UL94 V-0**
- **Working temperature: -40°C to 140°C**

| Symbol | Int. thread | Height A | Wrench size B | C | D | Standard pack |
|-----------|-------------|----------|---------------|------|------|---------------|
| | | [mm] | [mm] | [mm] | [mm] | [szt./pcs] |
| 22880PT04 | M10 | 30 | 30 | 25 | 7 | 400 |