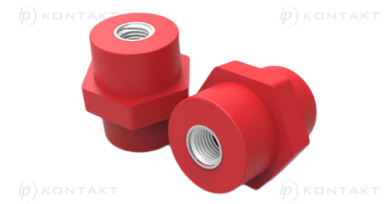
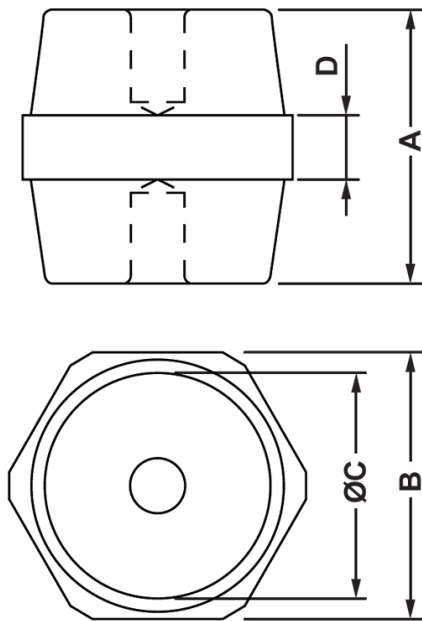


**FP-22780 - Standoff insulators**



**Details:**

- **Material:**
  - **threaded insert: zinc plated steel**
  - **body: polyester resin 20% GF**
- **Colour: red**
- **Flammability: UL94 V-0**
- **Working temperature: -40°C to 140°C**

Symbol	Int. thread	Height A	Wrench size B	C	D	Standard pack
		[mm]	[mm]	[mm]	[mm]	[szt./pcs]
22872PT04	M8	40	46	40	12	200