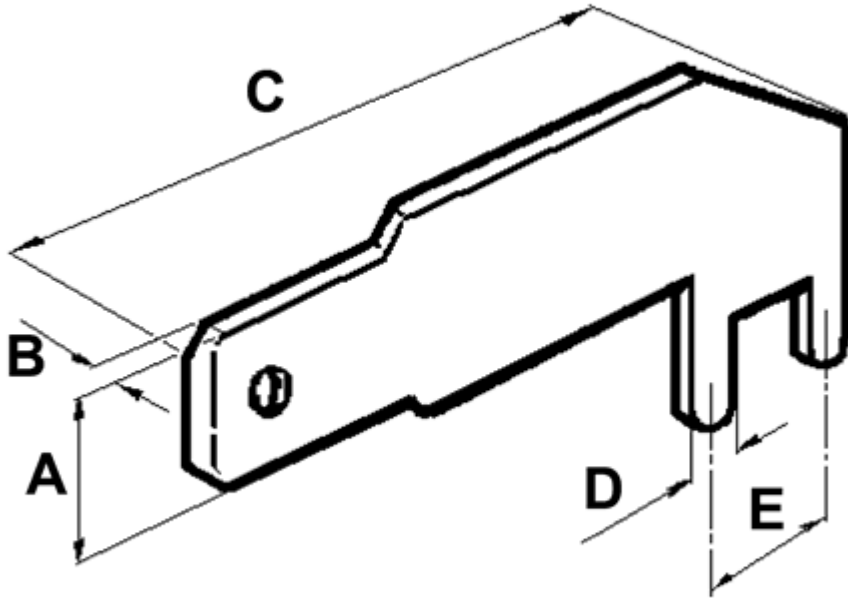
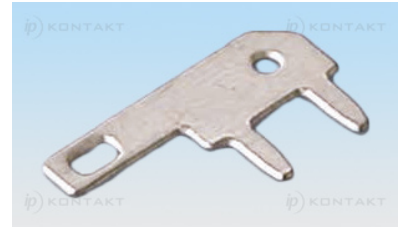


FP-0902 - PCB tabs



Details:

- **Material: tin-plated brass**
- **Standard pack: 5000 pcs**

Symbol	A	B	C	D	E	Material
	[mm]	[mm]	[mm]	[mm]	[mm]	
1427MA91	4.8	0.8	20.5	1.2	5	brass, tin plated