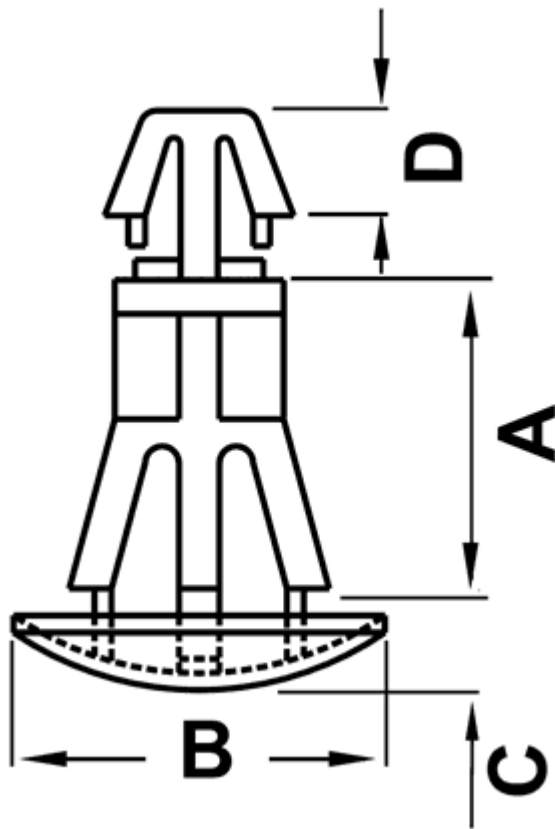


FP-6240 - PCB spacers



Details:

- **Material: Nylon 6.6**
- **Color: natural**
- Flammability: UL94V2
- Working temperature: -35°C up to +85°C

Symbol	Height A	B	C	D	Top mounting hole dia.	Top panel thickness range	Bottom mounting hole dia.	Bottom panel thickness range	Standard pack	Material	Flammability	Color
	[mm]	[mm]	[mm]	[mm]	[mm]	[mm]	[mm]	[mm]				
1199AA00	6.3	9.7	2.8	9.3	4.5	1.0 - 1.2	6.4	1.6	2500	PA 66	UL94 V-2	natural