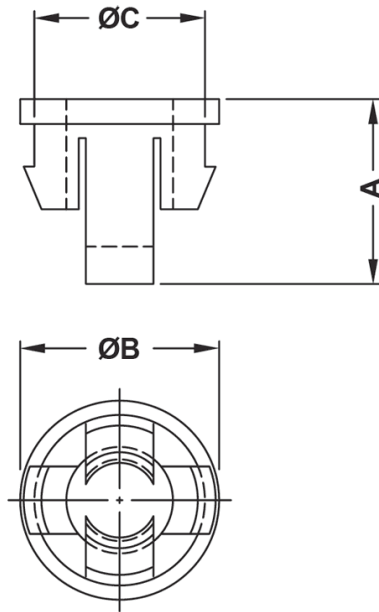


FP-11505 - LED Supports



Details:

- **Material: Nylon 6.6**
- **Color: black**
- Working temperature: -35°C to +85°C
- Flammability: UL94 V-2
- Standard pack: 1000 pcs

Symbol	A	B	C	Mounting hole diameter	Panel thickness range	Material	Flammability	Color
	[mm]	[mm]	[mm]	[mm]	[mm]			
11503AA01	6.9	7.8	5.1	6	-	PA 66	UL94 V-2	black