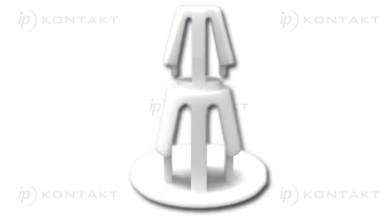
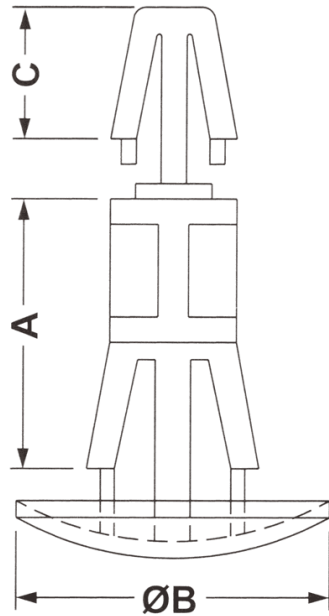


FP-11462 - Spacers with flat head



Details:

- **Material: Nylon 6.6**
- **Color: natural**
- Flammability: UL-94 V2
- Working temperature: -35°C up to +85°C
- Standard pack: 1000 pcs

Symbol	Height A	B	C	D	Top mounting hole dia.	Top panel thickness	Bottom mounting hole dia.	Bottom panel thickness range	Material	Flammability	Color
	[mm]	[mm]	[mm]	[mm]	[mm]	[mm]	[mm]	[mm]			
11462AA0019.0	19	4.2	1.7	11.3	4	1.6	5.5	1.5 - 2.2	PA 66	UL94 V-2	natural