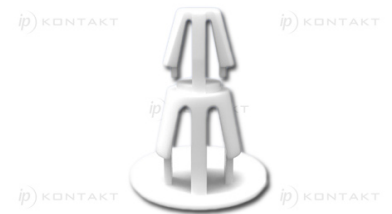
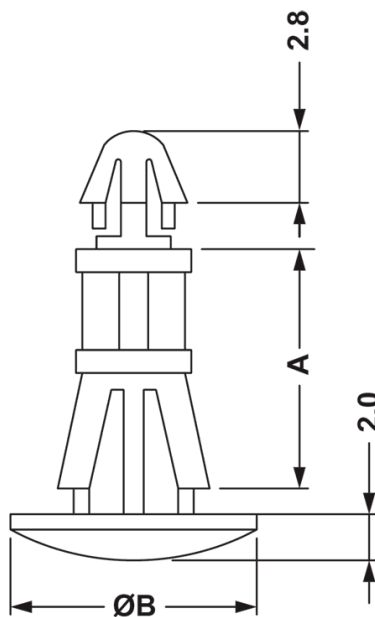


FP-11403 - Spacers with flat head



Details:

- **Material: Nylon 6.6**
- **Color: natural**
- Flammability: UL-94 V2
- Working temperature: -35°C up to +85°C
- Standard pack: 1000 pcs

Symbol	Height A	B	Top mounting hole dia.	Top panel thickness	Bottom mounting hole dia.	Bottom panel thickness range	Material	Flammability	Color
	[mm]	[mm]	[mm]	[mm]	[mm]	[mm]			
11403AA0011.0	11	9.5	3.5	1.6	5.5	0.8 - 1.2	PA 66	UL94 V-2	natural