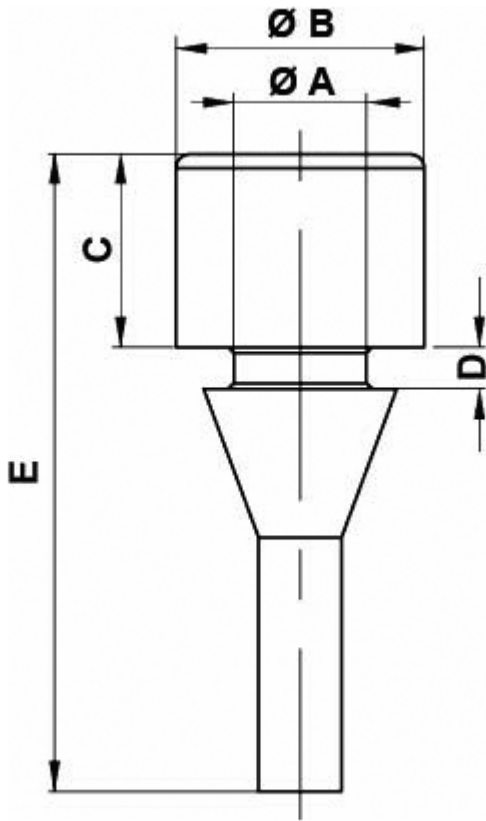


FP-11241 - Pull Mount Bumper



Details:

- **Material:** see table
- **Kolor:** black
- Working temperature:
 - EPDM: -40°C do +120°C
 - SILICONE: -60°C ~ +250°C
- Standard pack: see table

Symbol	Mounting hole diameter $\varnothing A$	Head diameter $\varnothing B$	Head height C	Panel thickness D	E	Material	Shore A hardness	Color	Standard pack
	[mm]	[mm]	[mm]	[mm]	[mm]				[szt./pcs]
11247SI01	7	14	6	1.2	30	Silicone	50	black	2500