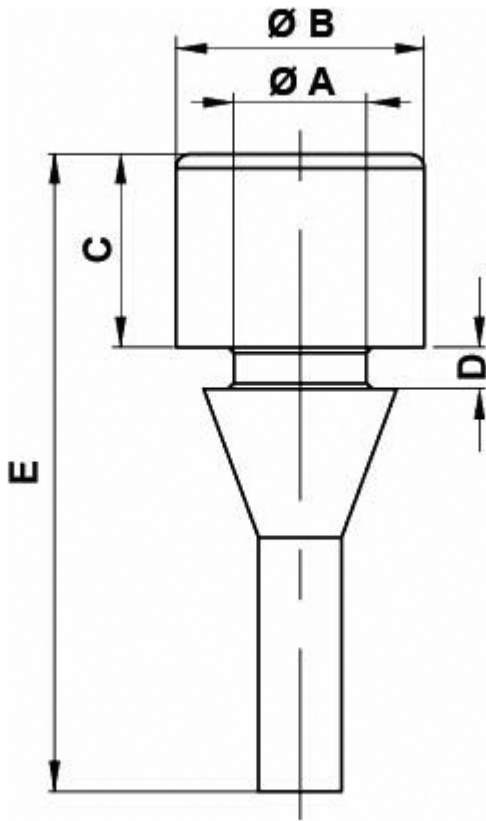


**FP-11241 - Pull Mount Bumper**



**Details:**

- **Material: see table**
- **Kolor: black**
- Working temperature:
  - EPDM: -40°C do +120°C
  - SILICONE: -60°C ~ +250°C
- Standard pack: see table

Symbol	Mounting hole diameter ØA	Head diameter ØB	Head height C	Panel thickness D	E	Material	Shore A hardness	Color	Standard pack
	[mm]	[mm]	[mm]	[mm]	[mm]				[szt./pcs]
11246GS01	4.8	9	7	1.5	23.1	EPDM	60	black	2500