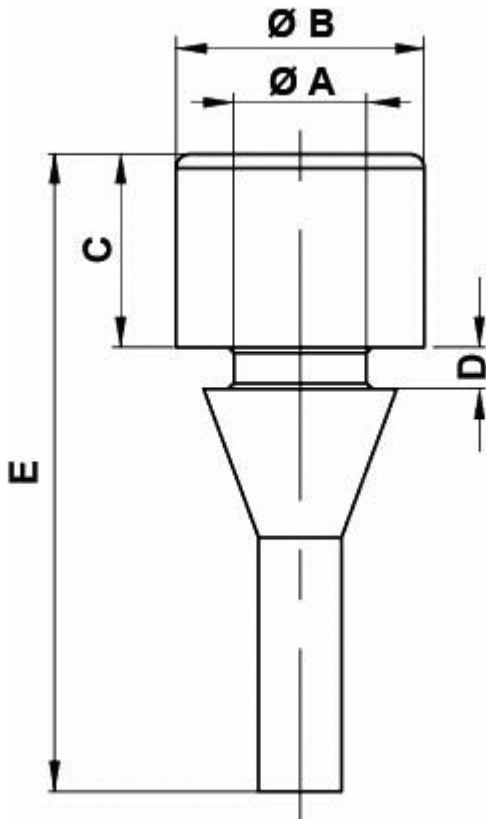


FP-11241 - Pull Mount Bumper



Details:

- **Material: see table**
- **Kolor: black**
- Working temperature:
 - EPDM: -40°C do +120°C
 - SILICONE: -60°C ~ +250°C
- Standard pack: see table

Symbol	Mounting hole diameter ØA	Head diameter ØB	Head height C	Panel thickness D	E	Material	Shore A hardness	Color	Standard pack
	[mm]	[mm]	[mm]	[mm]	[mm]				[szt./pcs]
11244GS01	4	12	4.5	2.7	18.5	EPDM	60	black	3000