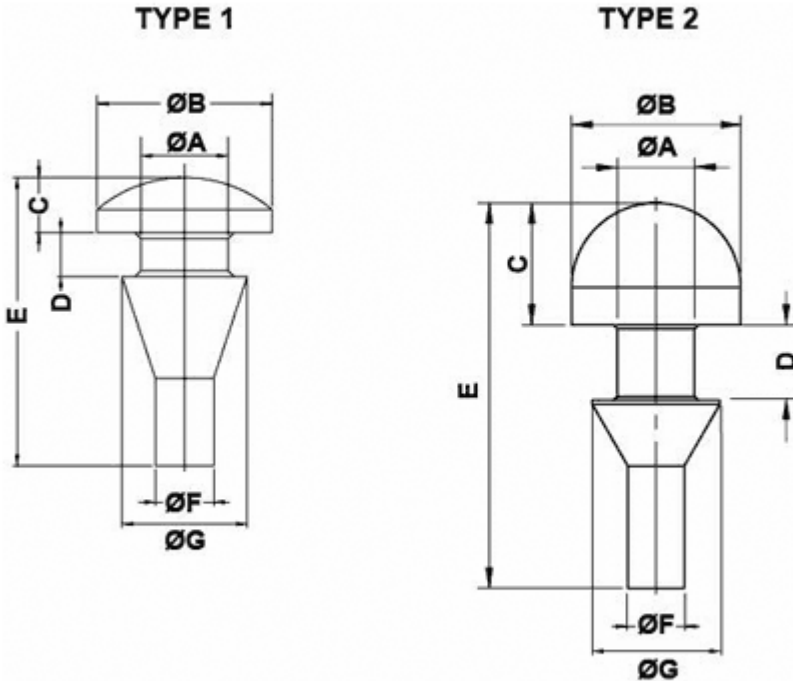


## FP-11232 - Pull Mount Bumper



**Details:**

- **Material:** see table
- **Kolor:** black
- Working temperature:
  - EPDM: -40°C do +120°C
  - NBR: -35°C do +110°C
- Standard pack: see table

Symbol	Type	Head diameter ØA	Mounting hole diameter ØB	Head height C	Panel thickness D	E	ØF	ØG	Material	Shore A hardness	Color	Standard pack
		[mm]	[mm]	[mm]	[mm]							[mm]
11234NR01	2	3.7	7	3.5	2.8	14.5	3.2	5.2	NBR	80	black	5000