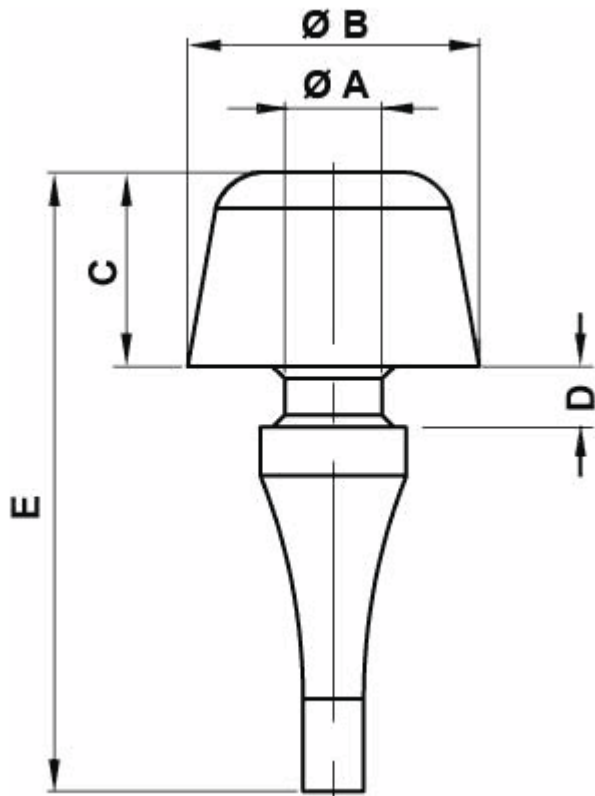


**FP-11220 - Pull Mount Bumper**



**Details:**

- **Material:** see table
- **Kolor:** black
- Working temperature:
  - EPDM: -40°C do +120°C
  - NBR: -35°C do +110°C
- Standard pack: see table

Symbol	Mounting hole diameter ØA	Head diameter ØB	Head height C	Panel thickness D	E	Material	Shore A hardness	Color	Standard pack
	[mm]	[mm]	[mm]	[mm]	[mm]				[szt./pcs]
11226GS01	3.6	8.7	5	1.4	15.1	EPDM	50	black	2500