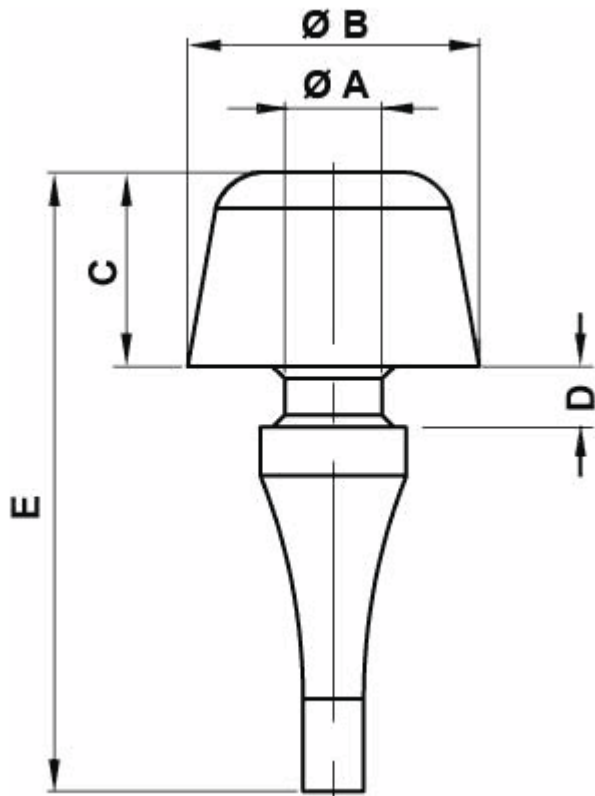


**FP-11220 - Pull Mount Bumper**



Details:

- **Material: see table**
- **Kolor: black**
- Working temperature:
  - EPDM: -40°C do +120°C
  - NBR: -35°C do +110°C
- Standard pack: see table

| Symbol    | Mounting hole diameter ØA | Head diameter ØB | Head height C | Panel thickness D | E    | Material | Shore A hardness | Color | Standard pack |
|-----------|---------------------------|------------------|---------------|-------------------|------|----------|------------------|-------|---------------|
|           | [mm]                      | [mm]             | [mm]          | [mm]              | [mm] |          |                  |       | [szt./pcs]    |
| 11221GS01 | 2.4                       | 6.5              | 4.5           | 0.5               | 12.5 | EPDM     | 50               | black | 2500          |