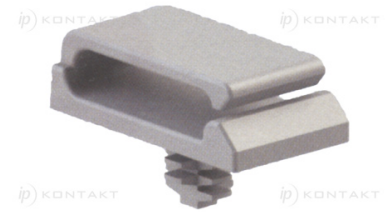
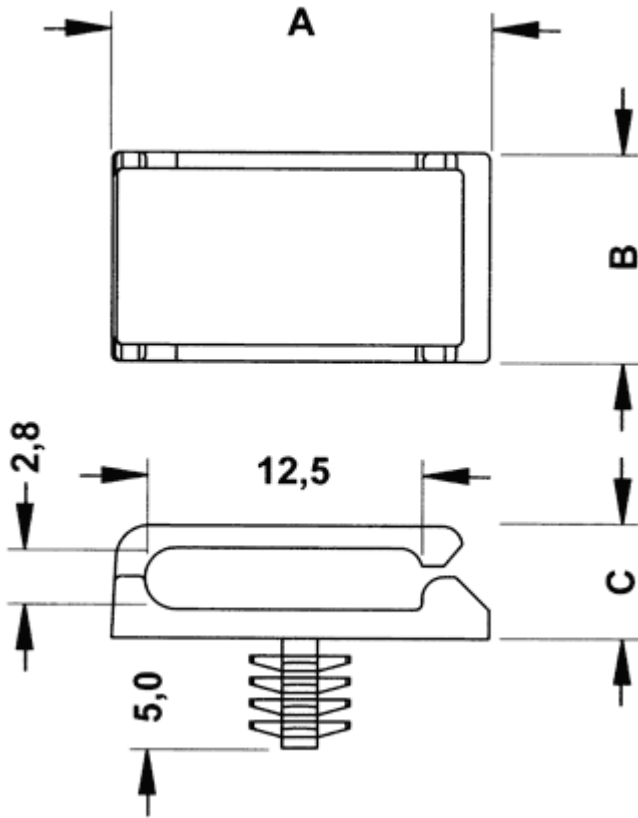


FP-10689 - Cable holder push mount



Details:

- **Material: PA 6.6 UL94V2**
- **Color: natural**
- Working temperature: -35°C - 85°C
- Standard pack: 1000 pcs

| Symbol | A | B | C | Mounting hole diameter | Panel thickness range | Material | Flammability | Color |
|-----------|------|------|------|------------------------|-----------------------|----------|--------------|---------|
| | [mm] | [mm] | [mm] | [mm] | [mm] | | | |
| 10689AA00 | 17 | 9.5 | 5.1 | 4 | 0.5 - 4.0 | PA 66 | UL94 V-2 | natural |