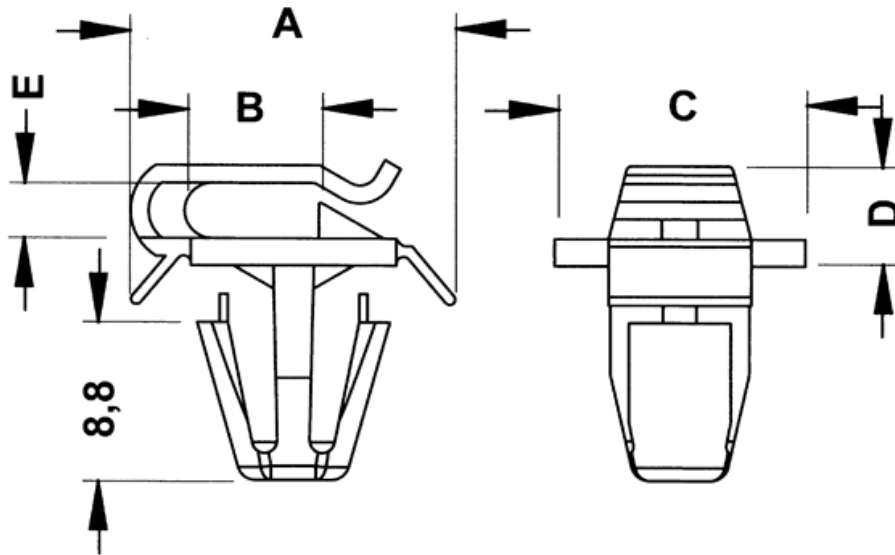


FP-10680 - Wire and pipe clips - side open



Details:

- **Material: PA 6.6 UL94V2**
- **Color: natural**
- Working temperature: -35°C - 85°C
- Standard pack: 1000 pcs

Symbol	A	B	C	D	E	Mounting hole diameter	Panel thickness range	Material	Flammability	Color
	[mm]	[mm]	[mm]	[mm]	[mm]	[mm]	[mm]			
10680AA00	18	7.5	14	5.6	3.1	8	1.0 - 2.8	PA 66	UL94 V-2	natural