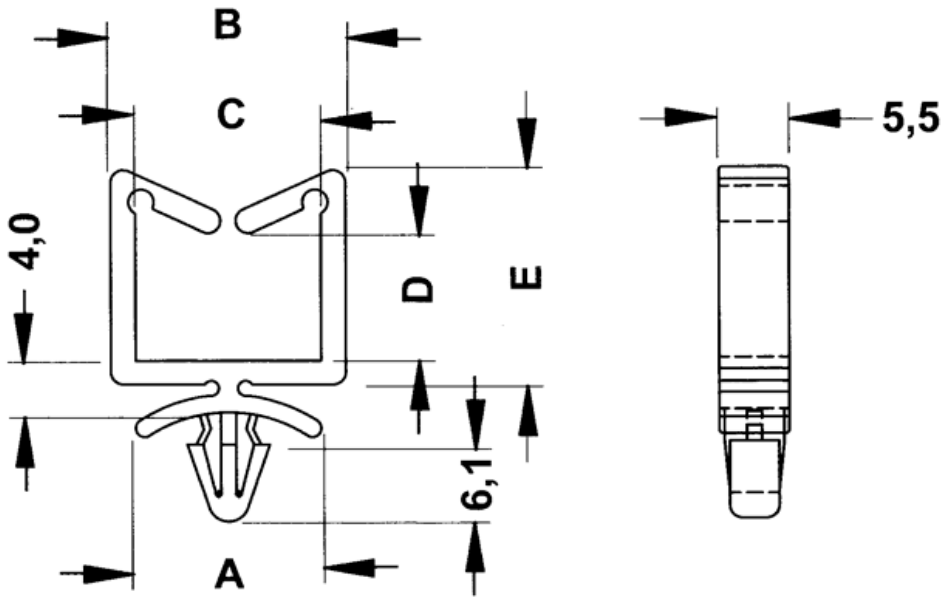


FP-10668 - Cable holder push mount



Details:

- **Material:** PA 6.6 UL94V2
- **Color:** natural
- Working temperature: -35°C - 85°C
- Standard pack: 500 pcs

Symbol	A	B	C	D	E	Mounting hole diameter range	Panel thickness range	Material	Flammability	Color
	[mm]	[mm]	[mm]	[mm]	[mm]	[mm]	[mm]			
10670AA00	14.7	19.7	15.7	11.3	18.2	4.8 - 5.0	1.2 - 2.1	PA 66	UL94 V-2	natural