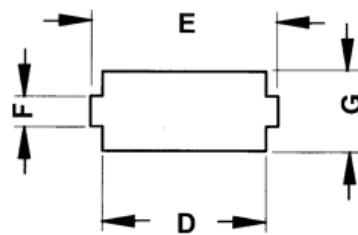
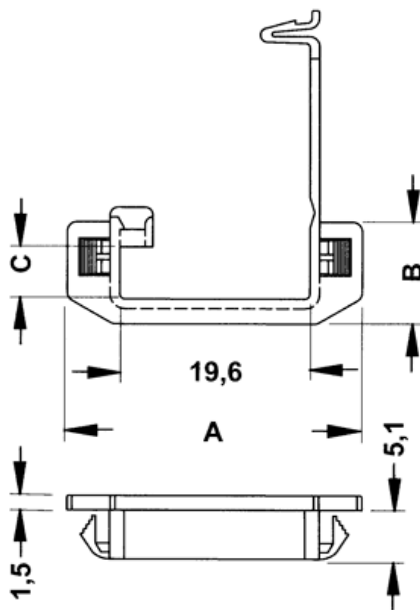
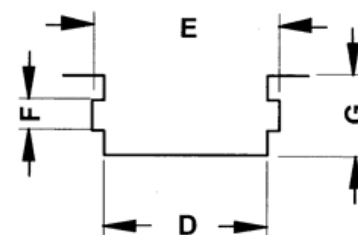


**FP-10666 - Cable holder push mount**



Montaż w otworze  
Through hole installation



Montaż krawędziowy  
Edge installation



Details:

- **Material:** PA 6.6 UL94V2 (or PA 6.6 UL94V0 on special order)
- **Color:** natural
- Working temperature: -35°C - 85°C
- Panel thickness:
  - Through hole mount: 0.8 - 1.6 mm
  - Edge mount: 2.0 mm
- Standard pack: 500 pcs

Symbol	A	B	C	D	E	F	G	Material	Flammability	Color
	[mm]	[mm]	[mm]	[mm]	[mm]	[mm]	[mm]			
10667AA00	31	19	12.2	22	25	5	18	PA 66	UL94 V-2	natural