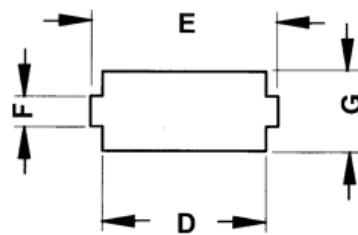
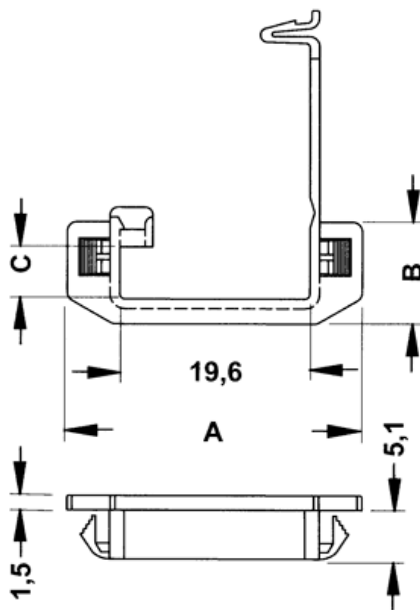
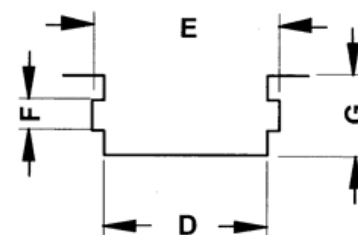


FP-10666 - Cable holder push mount



Montaż w otworze
Through hole installation



Montaż krawędziowy
Edge installation



Details:

- **Material:** PA 6.6 UL94V2 (or PA 6.6 UL94V0 on special order)
- **Color:** natural
- Working temperature: -35°C - 85°C
- Panel thickness:
 - Through hole mount: 0.8 - 1.6 mm
 - Edge mount: 2.0 mm
- Standard pack: 500 pcs

Symbol	A	B	C	D	E	F	G	Material	Flammability	Color
	[mm]	[mm]	[mm]	[mm]	[mm]	[mm]	[mm]			
10666AA00	30.4	11.6	5.4	21.8	25	4.1	10.7	PA 66	UL94 V-2	natural