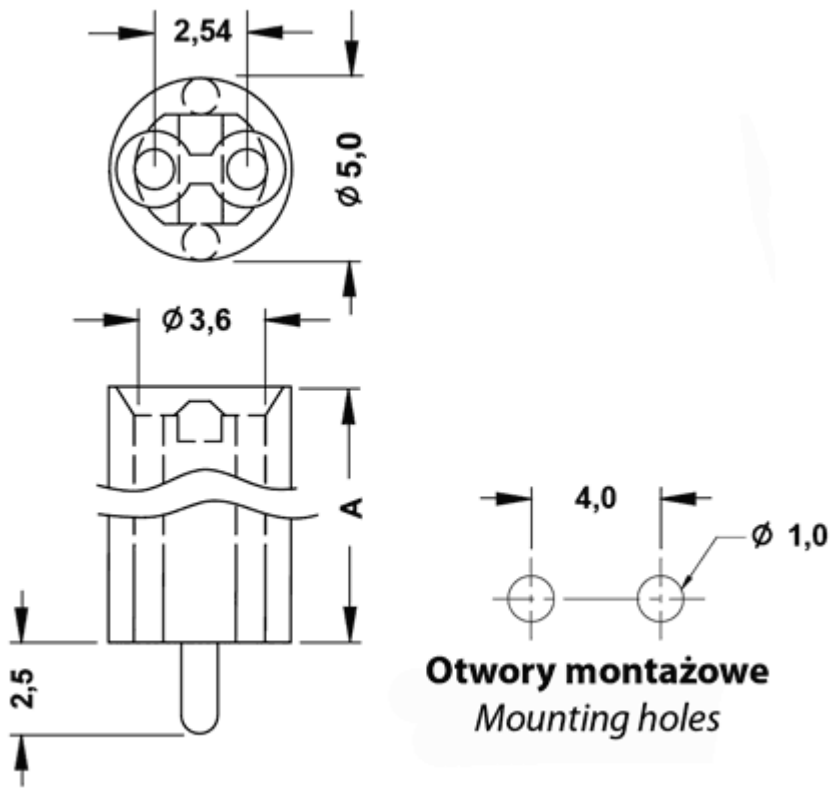


FP-10595 - LED spacer



Otwory montażowe
Mounting holes

Details:

- **Material:** Nylon 6.6
- **Color:** natural
- Flammability: UL94V2
- Working temperature: -35°C do +85°C

| Symbol | Height A | Standard pack | Material | Flammability | Color |
|-----------|----------|---------------|----------|--------------|---------|
| | [mm] | [szt./pcs] | | | |
| 10599AA00 | 7 | 2000 | PA 66 | UL94 V-2 | natural |