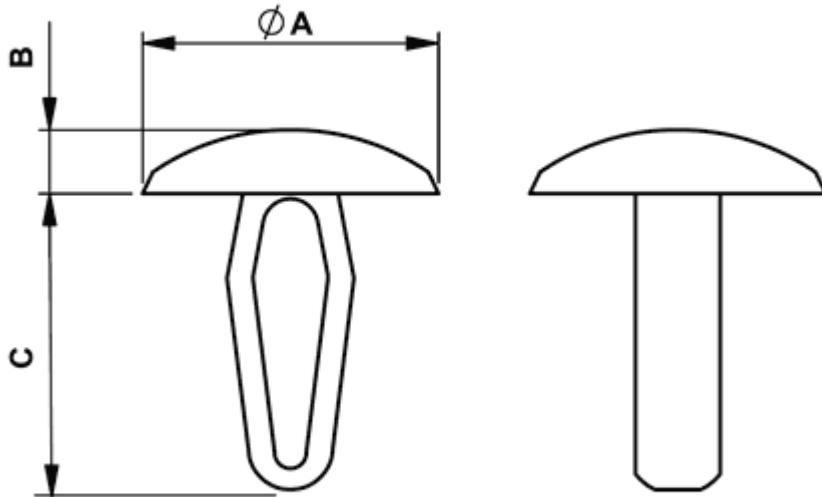


FP-5659 - Clips



Details:

- **Material: Nylon 6.6**
- **Flammability: UL94V2**
- **Color: natural (NAT) or black (BLK)**
- Working temperature: -35°C do +85°C

Symbol	Head diameter ϕA	Head height B	C	Mounting hole diameter	Panel thickness range	Standard pack	Material	Flammability	Color
	[mm]	[mm]							
0278AA00	9.5	1.5	11	5	1.5 - 3.5	2500	PA 66	UL94 V-2	natural