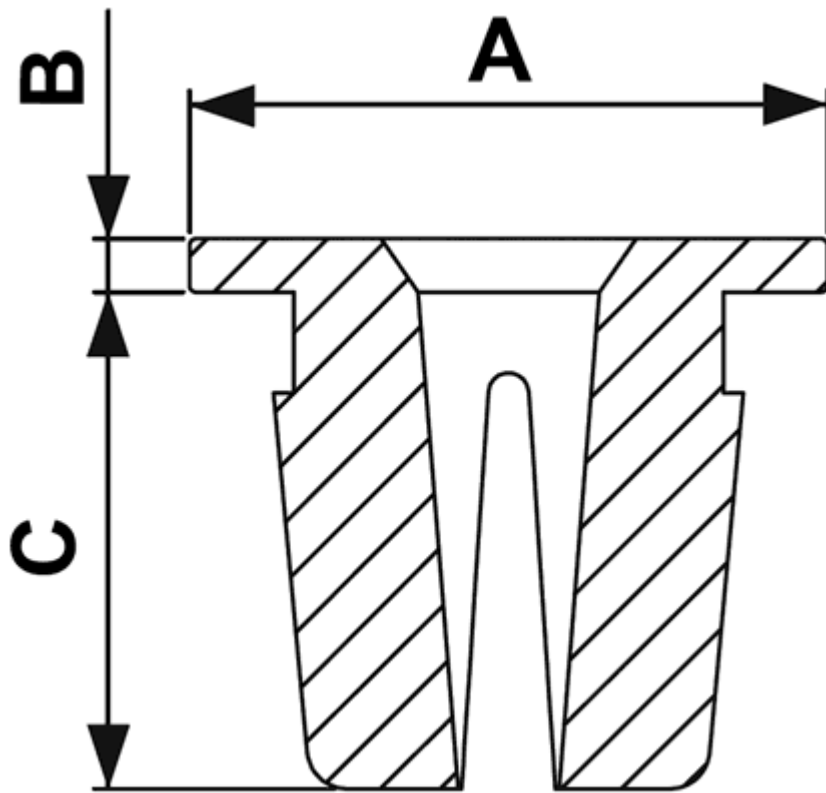


FP-0110 - Screw grommets



Details:

- **Material:** Nylon 6.6
- **Flammability:** UL94V2
- **Color:** natural
- **Working temperature:** -35°C do +85°C

Symbol	A	B	C	Mounting hole dimensions	Panel thickness range	Notes	Material	Flammability	Color	Standard pack
	[mm]	[mm]	[mm]	[mm]	[mm]					[szt./pcs]
0110AA00	9	1.2	5.8	5.5 x 5.5	0.8 - 2.0	ST 2.9 - ST 3.9	PA 66	UL94 V-2	natural	5000