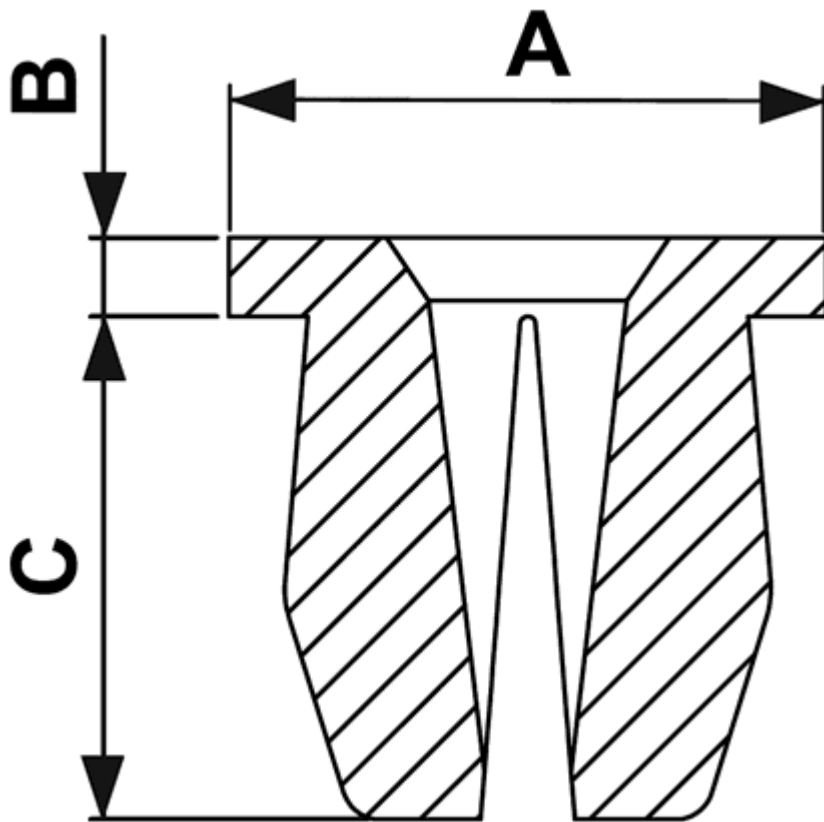


FP-0108 - Screw grommets



Details:

- **Material:** Nylon 6.6
- **Flammability:** UL94V2
- **Color:** natural
- **Working temperature:** -35°C do +85°C

Symbol	ØA	B	C	Mounting hole dimensions	Panel thickness range	Uwagi / Notes	Material	Flammability	Color	Standard pack
	[mm]	[mm]	[mm]	[mm]	[mm]					[szt./pcs]
0108AA00	8.5	1.2	5.5	4.5 x 4.5	0.8 - 2.5	ST 3.9	PA 66	UL94 V-2	natural	2500