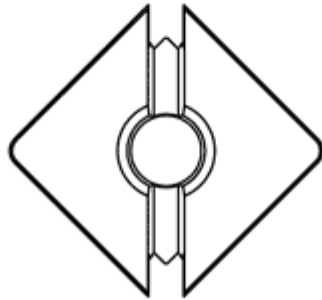
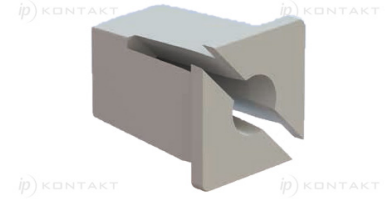
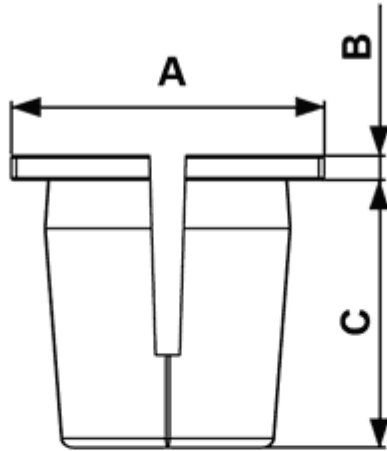


FP-0093 - Screw grommets



Details:

- **Material: Nylon 6.6**
- **Flammability: UL94V2**
- **Color: natural or black**
- Working temperature: -35°C do +85°C

Symbol	A	B	C	Mounting hole dimensions	Panel thickness range	Notes	Material	Flammability	Color	Standard pack
	[mm]	[mm]	[mm]	[mm]	[mm]					[szt./pcs]
0098AA00	9.5	1	11	7.0 x 7.0	0.5 - 2.0	ST42	PA 66	UL94 V-2	natural	2500