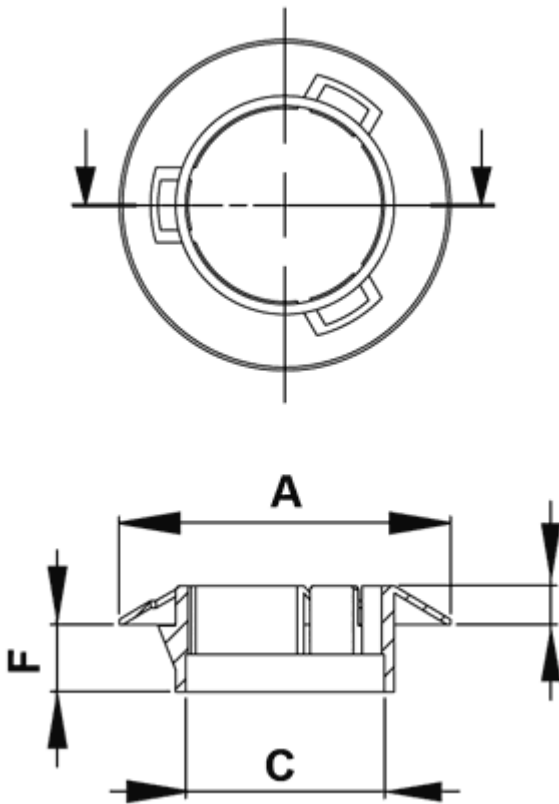
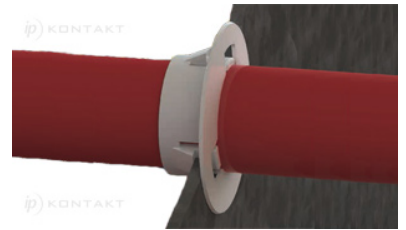


FP-0084 - Snap cable bushing



Details:

- **Material: PA6.6 UL94V2**
- **Color: natural**
- Working temperature: -35°C to +85°C
- Standard pack: 2500 pcs

Symbol	A	C	E	F	Mounting hole diameter	Panel thickness range	Material	Flammability	Color
	[mm]	[mm]	[mm]	[mm]	[mm]	[mm]			
0084AA00	25	15.5	2.5	5.5	18	0.5 - 1.2	PA 66	UL94 V-2	natural