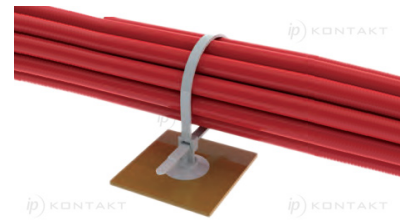
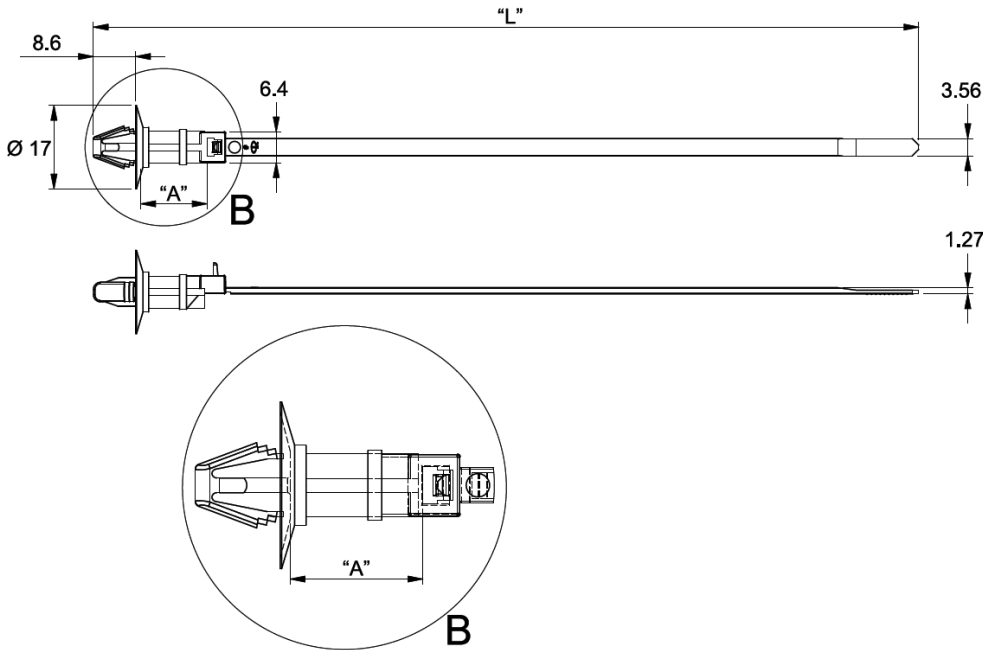


WIT-30RCA - Cupped Cable Ties



Details:

- **Material: UL94 V-2, Nylon 6/6, RMS-01***
- **Material: UL94 V-2, UV Stabilized Nylon 6/6, RMS-46***
- **Material: UL94 V-2, Heat Stabilized Nylon 6/6, RMS-47***
- **Material: UL94 V-0, Nylon 6/6, RMS-19***
- **Color: see table**
- **Standard Pack: 1000/Bag**

Symbol	Tensile strength	Length L	Max. cable bundle diameter	A	Mounting hole diameter range	Panel thickness range	Material	Flammability	Color
	[daN]	[mm]	[mm]	[mm]	[mm]	[mm]			
WIT-30RCA-4-M	13	160.7	31.8	7.1	6.0 - 6.5	0.6 - 2.5	PA 66	UL94 V-2	natural
WIT-30RCA-4UVB	13	160.7	31.8	7.1	6.0 - 6.5	0.6 - 2.5	PA 66 UV stabilized	UL94 V-2	black
WIT-30RCA-4-HS	13	160.7	31.8	7.1	6.0 - 6.5	0.6 - 2.5	PA 66 heat stabilized	UL94 V-2	black
WIT-30RCA-4-V0-M	13	160.7	31.8	7.1	6.0 - 6.5	0.6 - 2.5	PA 66	UL94 V-0	natural
WIT-30RCA-8-M	13	168.3	31.8	13.5	6.0 - 6.5	0.6 - 2.5	PA 66	UL94 V-2	natural
WIT-30RCA-8-UVB-M	13	168.3	31.8	13.5	6.0 - 6.5	0.6 - 2.5	PA 66 UV stabilized	UL94 V-2	black
WIT-30RCA-8-HS-M	13	168.3	31.8	13.5	6.0 - 6.5	0.6 - 2.5	PA 66 heat stabilized	UL94 V-2	black
WIT-30RCA-8-V0-M	13	168.3	31.8	13.5	6.0 - 6.5	0.6 - 2.5	PA 66	UL94 V-0	natural
WIT-30RCA-12-M	13	174.6	31.8	19.8	6.0 - 6.5	0.6 - 2.5	PA 66	UL94 V-2	natural
WIT-30RCA-12-UVB-M	13	174.6	31.8	19.8	6.0 - 6.5	0.6 - 2.5	PA 66 UV stabilized	UL94 V-2	black
WIT-30RCA-12-HS-M	13	174.6	31.8	19.8	6.0 - 6.5	0.6 - 2.5	PA 66 heat stabilized	UL94 V-2	black
WIT-30RCA-12-V0-M	13	174.6	31.8	19.8	6.0 - 6.5	0.6 - 2.5	PA 66	UL94 V-0	natural
WIT-30RCA-16-M	13	180.2	31.8	25.4	6.0 - 6.5	0.6 - 2.5	PA 66	UL94 V-2	natural
WIT-30RCA-16UVB	13	180.2	31.8	25.4	6.0 - 6.5	0.6 - 2.5	PA 66 UV stabilized	UL94 V-2	black

Symbol	Tensile strength	Length L	Max. cable bundle diameter	A	Mounting hole diameter range	Panel thickness range	Material	Flammability	Color
	[daN]	[mm]	[mm]	[mm]	[mm]	[mm]			
WIT-30RCA-16-HS-M	13	180.2	31.8	25.4	6.0 - 6.5	0.6 - 2.5	PA 66 heat stabilized	UL94 V-2	black
WIT-30RCA-16-V0-M	13	180.2	31.8	25.4	6.0 - 6.5	0.6 - 2.5	PA 66	UL94 V-0	natural