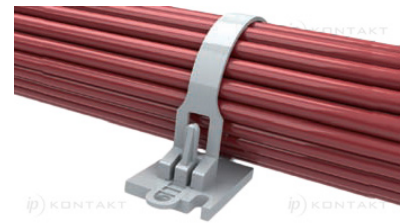
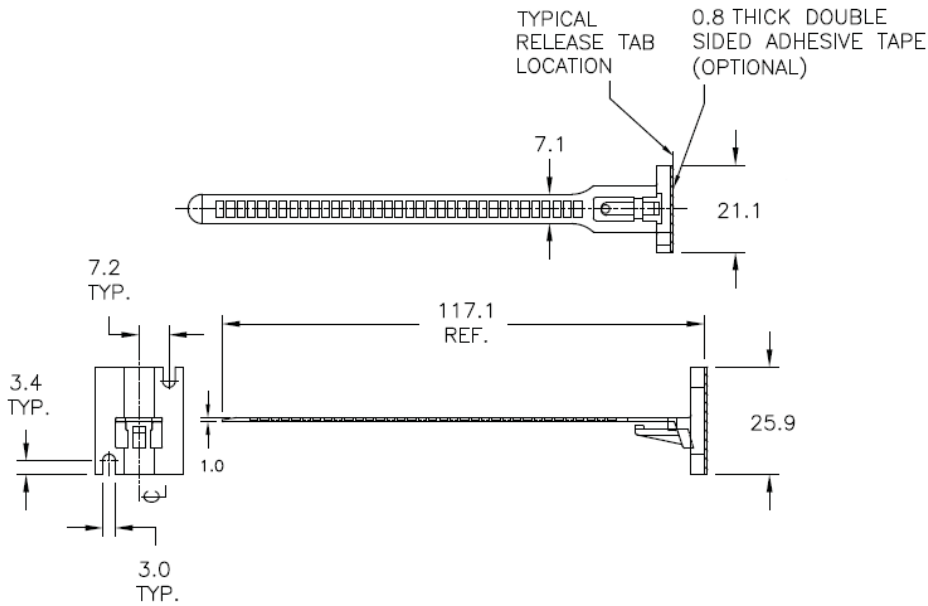


TOBS - Adhesive/Screw Mount Tie



Details:

- **Material: UL94 V-2 Nylon 6/6, RMS-01***
- **Color: Black**
- **0.8 Thick Acrylic Adhesive Tape, RMS-15***
- Standard Pack: 1000/Bag

Symbol	Max. cable bundle diameter	Type	Material	Flammability	Color
	[mm]				
TOBS-18-01	28.5	hole mounted	PA 66	UL94 V-2	natural
TOBS-18-01A-RT	28.5	adhesive	PA 66	UL94 V-2	natural