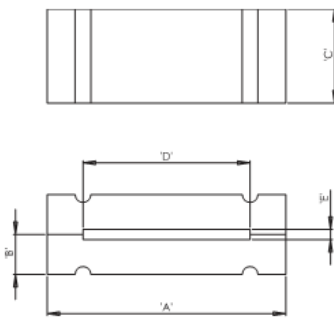
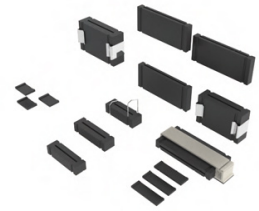
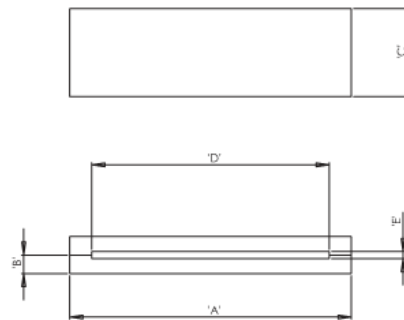


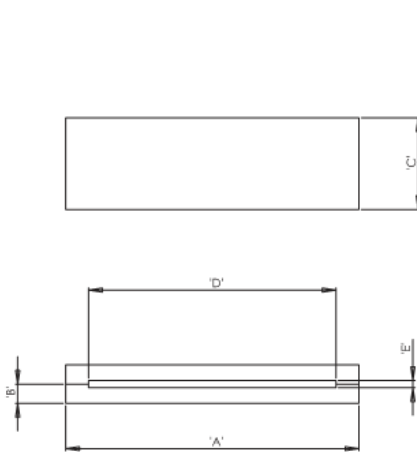
## RFP - Ribbon Cable Split Cores



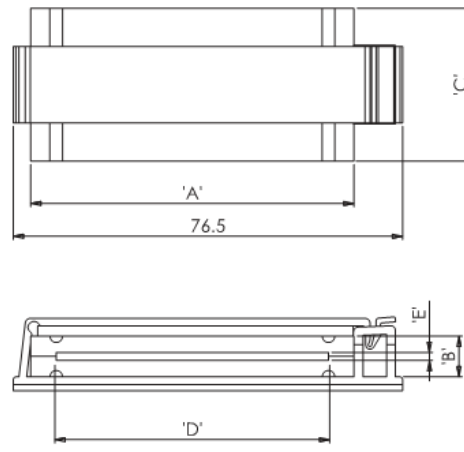
Rys. 1



Rys. 2



Rys. 3



Rys. 4  
samoprzylepny spód

### Details:

- Ferrite Material: A5 RMS-303\*
- Casing Material: Nylon 6/6. RMS-244\*
- Metal Clamp & Spring: RMS-305

Symbol	Fig.	Mounting	A	B	C	D	E	Impedance @25MHz	Impedance @100MHz	Standard pack
			[mm]	[mm]	[mm]	[mm]	[mm]	[Ω]	[Ω]	[szt./pcs]
RFP2-10-10-A5	2	-	16.5	2	10.25	12.5	0.6	27	69	240
RFP3-16-12-A5	2	-	25	2.8	12	21	1.1	28	90	144
RFP2-18-15-A5	3	-	28.5	2.25	15	23.5	0.42	36	99	385
RFP2-20-12-A5	2	-	32	2.1	12	27	0.4	30	87	315
RFP2-25-12-A5	2	-	37.1	3.3	12.7	32	0.9	36	106	66
RFP1-20-10-A5	1	spring	38	6.35	10	26.6	0.8	45	107	60
RFP1-20-25-A5	1	metal clip	38	6.35	25.4	26.6	0.8	105	175	15
RFP3-27-12-A5	3	-	40	2	12	35	0.5	16	73	72
RFP2-27-12-A5	2	-	40	3.25	12	35	0.55	27	66	72
RFP1-26-10-M-A5	1	spring	45	6.35	10	34.4	0.8	43	110	60
RFP1-26-28-A5	1	metal clip	45	6.35	28.5	34.4	0.8	102	189	15
RFP2-34-5-A5	3	-	49.6	3.25	5	44	0.55	15	50	162
RFP2-34-12-A5	3	-	49.6	3.25	12	44	0.55	23	70	-
RFP1-34-10-A5	1	spring	55.1	6.35	10	43.7	0.8	36	104	40
RFP1-34-28-A5	1	metal clip	55.1	6.35	28.5	43.7	0.8	80	181	10

Symbol	Fig.	Mounting	A	B	C	D	E	Impedance @25MHz	Impedance @100MHz	Standard pack
			[mm]	[mm]	[mm]	[mm]	[mm]	[Ω]	[Ω]	[szt./pcs]
RFP1-40-13-A5	1	spring	63.5	6.35	13	52	1.1	45	114	20
RFP1-40-15-A5	1	spring	63.5	6.35	15	52	0.8	50	124	20
RFP1-40-28-M-A5	1	metal clip	63.5	6.35	28.5	52	0.8	77	172	10
RFP4-40-28-MPA5	4	plastic with adhesive base	63.5	12.7	28.5	52	1.6	77	172	16
RFP1-50-28-A5	1	metal clip	76.2	6.35	28.5	65.3	0.85	70	200	10