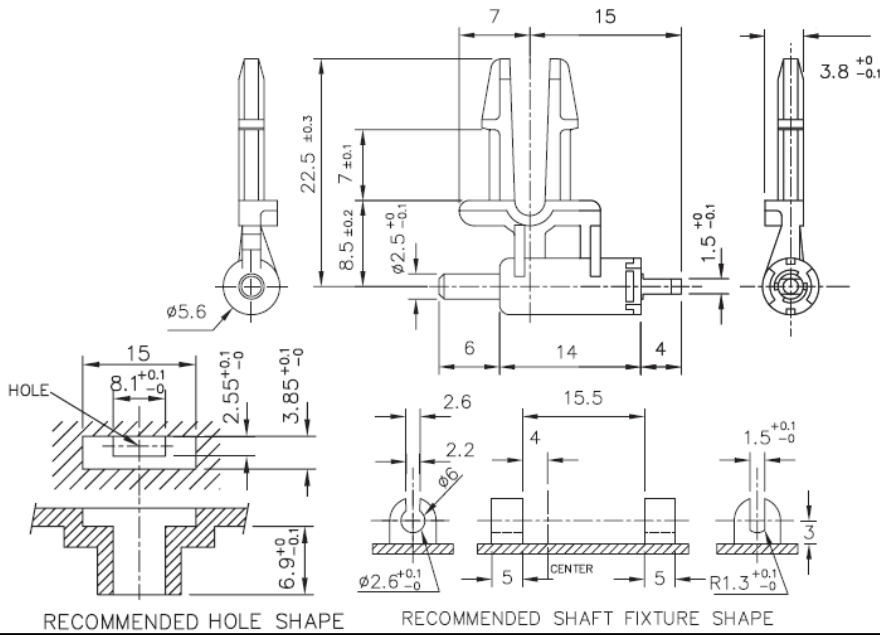


RAD-20 - Axis Damper



Details:

- **Material: Body and Shaft: Polycarbonate, RMS-161* Color: Black;**
- **O-Ring: Silicone Rubber, RMS-296* Color: Red;**
- **Spring: SWP-B, RMS-309***
- **Damper snaps into the access panel/door (see Recommended Shaft Fixture Shape) and the recommended mounting shape in the chassis (see Recommended Hole Shape)**
- **Standard Pack: 1000/Bag**

Symbol	Torque	Angle (revolution)	Angle (max. revolution) ± 10°	Material	Color
	[gf·cm]	[°]	[°]		
RAD-20	20	90	130	PC	black